

**DESCRIPTION:**

The CMK type access doors are designed for used on walls and false ceiling

**MATERIAL:**

The frame is manufactured from ETIAL-60 Norm aluminium extruded profile. There is a neoprene gasket between the cover and the frame, which can withstand 90°C. The cover is made of ETIAL-5 norm aluminium sheet.

Insulation material is glasswood as per DIN 4102 Class A

**APPLICATION:**

The CMK type access doors are designed for used on walls and false ceiling.

it is usually used for cleaning and controlling of duct systems

**FINISHING:**

- Standard finishing is natural anodized. Electrostatic powder coating is optional.
- Standard colours are RAL 9010 and RAL 9016 . Other colours are available with enamel paint.

**INSTALLATION:**

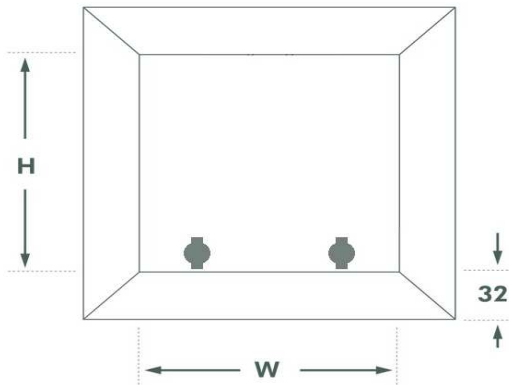
- System with screws is standard. .

**ACCESSORIES:**

- The cover can be produced with insulated or uninsulated
- The cover will be hinged at one side and secured at the other and by mean of either a key lock or a triangular socket lock



**STANDARD SIZES (mm):**

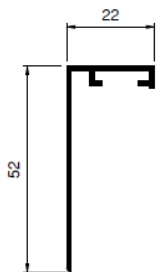


W : 300 – 400 - 500 mm

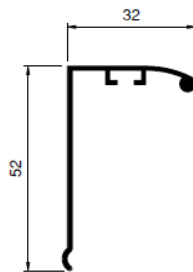
H : 200 - 300 - 400 - 500 mm

\* Any combination of these sizes

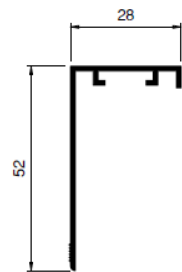
**FRAME TYPES:**



22mm Frame

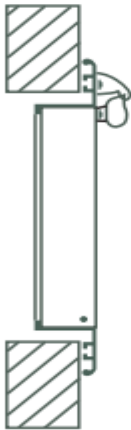
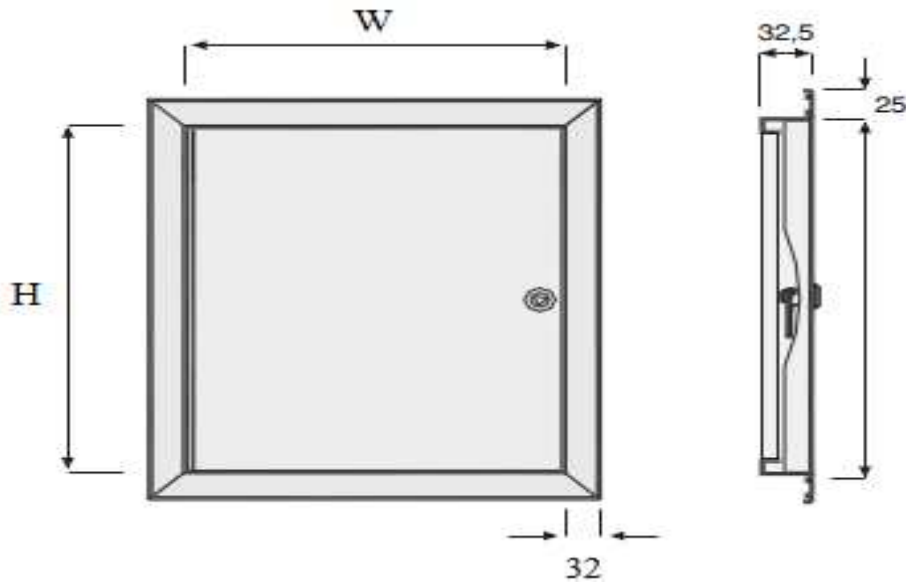


32mm Frame

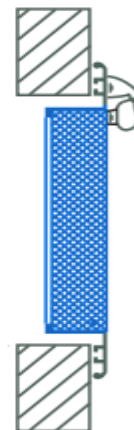


28mm Frame

**DRAWINGS:**



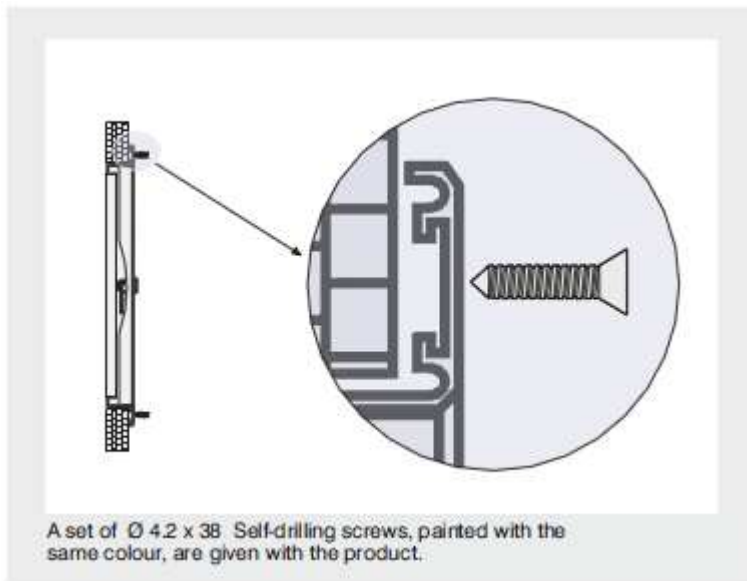
Hinged uninsulated Control Cover



Hinged insulated Control Cover

**MOUNTING DETAILS:**

1- Screw Mounting Details



**APPLICATION EXAMPLE:**





**ORDER CODE:**

CMK	M	22	iz	RAL9010	VD	W 400X400
M: Hinged A: Keyed		22mm Frame = 22mm 28mm Frame = 28mm 32mm Frame = 32mm		00: Uninsulated iz: insulated		W: Neck Size C: Frame Size  00: without Mounting VD: Screw Mounting
				00: without coating EL: Anodic Aluminium RAL----: Powder Coated RAL		