**DESCRIPTION:**

B12 : Supply type two way stamped grilles. Two way deflection.

MATERIAL:

Steel construction.

FUNCTION:

- It is used both for supply and return application in air ventilation systems.
- 1/2" spacing lanced face
- Multi-shutter damper
- Riveted damper
- Steel handle operator

FINISHING:

Standard white colors are RAL 9010 and RAL 9016 . Other colors are available.

INSTALLATION:

- Countersunk mounting holes.
- 2" long zip screws
- System plate spring is used if no hole is requested on the frame.

ACCESSORIES:

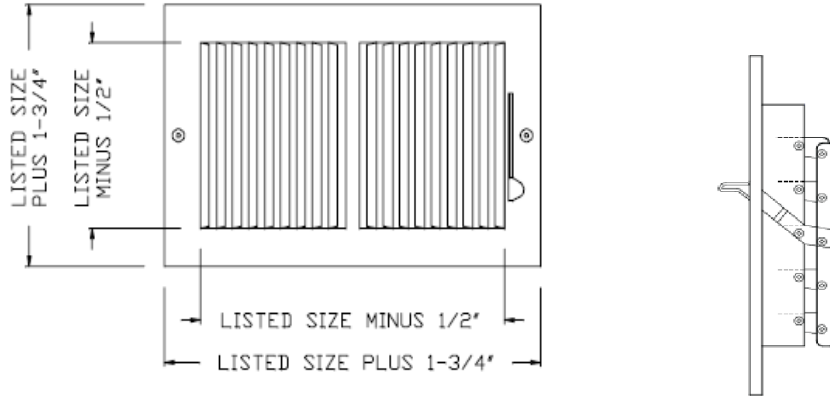
- If desired, it is possible to add a damper to adjust the amount of air to be collected.

PKD: Parallel Blade Damper

- PK: Plenum Box



STANDARD LISTED SIZES:



	Width					
Height	6"	8"	10"	12"	14"	16"
4"		X	X	X	X	
6"	X	X	X	X	X	X
8"			X	X		

* Other sizes available upon request



2 Way Stamped Face Grille Performance Table:

CFM	Outlet Size	8" x 4"	10" x 6"	12" x 6"	14" x 6"	12" x 8"	14" x 8"
50	Neck Velocity	225					
	Ps	.006					
	Throw	6					
100	Neck Velocity	450	240	200			
	Ps	.023	.006	.004			
	Throw	9	7	7			
150	Neck Velocity	675	360	300	257	225	
	Ps	.051	.015	10	.007	.006	
	Throw	12	10	9	9	8	
200	Neck Velocity	900	480	400	343	300	257
	Ps	.091	.026	.018	.013	.010	.007
	Throw	15	12	11	11	10	10
250	Neck Velocity		600	500	429	375	321
	Ps		.040	.128	.021	.016	.012
	Throw		14	13	12	12	11
300	Neck Velocity		720	600	514	450	386
	Ps		.058	.040	.030	.023	.017
	Throw		16	15	14	13	13
350	Neck Velocity		840	700	600	525	450
	Ps		.079	.055	.040	.091	.023
	Throw		17	16	16	15	14
400	Neck Velocity			800	686	600	514
	Ps			.091	.067	.051	.038
	Throw			20	19	18	17
450	Neck Velocity			900	771	675	579
	Ps			.112	.082	.063	.046
	Throw			21	20	19	18
500	Neck Velocity				857	750	643
	Ps				.100	.076	.056
	Throw				21	20	19
550	Neck Velocity					825	707
	Ps					.091	.067
	Throw					22	20
600	Neck Velocity					900	771
	Ps					.107	.078
	Throw					23	22
650	Neck Velocity						836
	Ps						.091
	Throw						23
700	Neck Velocity						900
	Ps						.096
	Throw						25

Performance Notes:

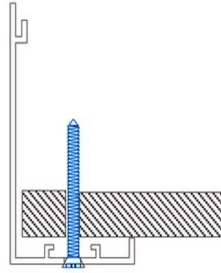
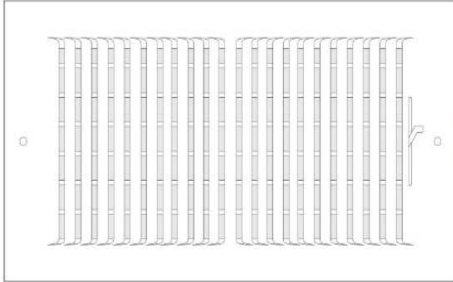
1. Neck Velocity: The neck velocity is in feet per minute.
2. Ps : Static pressure reading are in inches water gauge
3. Throw : Throw indicated are based on total number of feet of projected air when a terminal velocity of 50 feet per minute is reached. Values reflect side louver throw and center louver throw respectively. Throw should extend at least 75% of the distance from the face of the grille to the wall opposite the outlet. Throws are based on a 9 foot ceiling height.



MOUNTING DETAILS

Screw Mounting Details

- Countersunk mounting holes
- 2" long zip screws





ORDER CODES

B12	Y	28	PKD	RAL9010	VD	W 200X100
Y: Horizontal Blade D: Vertical Blade						W: Neck Size C: Frame Size
22: Frame=22mm 28: Frame=28mm 32: Frame=32mm						00: without Mounting VD: Screw Mounting ST: Spring Mounting
000: without Damper PKD: Parallel Blade Damper						00: without coating EL: Satin Aluminium RAL----: Powder Coated RAL