

**DESCRIPTION:**

PYP: Special design for heating, cooling, ventilation and air conditioning systems operating at low and medium pressure. Used in air ducts for supply and return air. The aerodynamic design offers very low pressure loss. Convenient for wall and ceiling application.

MATERIAL:

All made of ABS plastic

FUNCTION:

Its all-plastic construction appeals to all living spaces thanks to its powerful blowing and suction performance, high surface quality and temperature resistance. Plastic Round Louvers increases indoor air quality. At the same time energy, cost and time are saved.

FINISHING:

Standard White ABS plastic.

INSTALLATION:

System with hidden screws is standard.

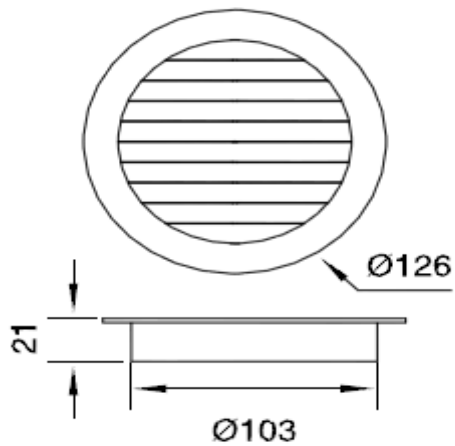
ACCESSORIES:

Mosquito net upon request

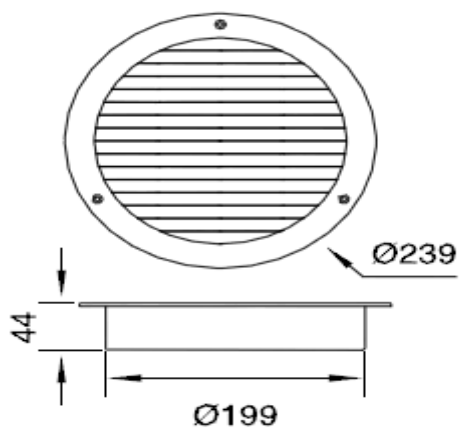


STANDARD SIZES (mm):

Ø100mm Louver



Ø200mm Louver



SELECTION TABLE:

STANDARD DIAMETER (Ø mm)	FLOW (m ³ /h)
100	140
200	350

* Selection Table according to 3,0m / s speed



ORDER CODE :

PYP	W – Ø100
	- Ø100
	- Ø200