

**DESCRIPTION:**

PCYP: Special design to window mounted for ventilation and air conditioning systems operating at low and medium pressure. Used in air ducts for supply and return air. The aerodynamic design offers very low pressure loss. Convenient for wall and ceiling application.

MATERIAL:

All made of ABS plastic

FUNCTION:

Its all-plastic construction appeals to all living spaces thanks to its powerful blowing and suction performance, high surface quality and temperature resistance. Plastic Glass-type Round Louvers increases indoor air quality. At the same time energy, cost and time are saved.

FINISHING:

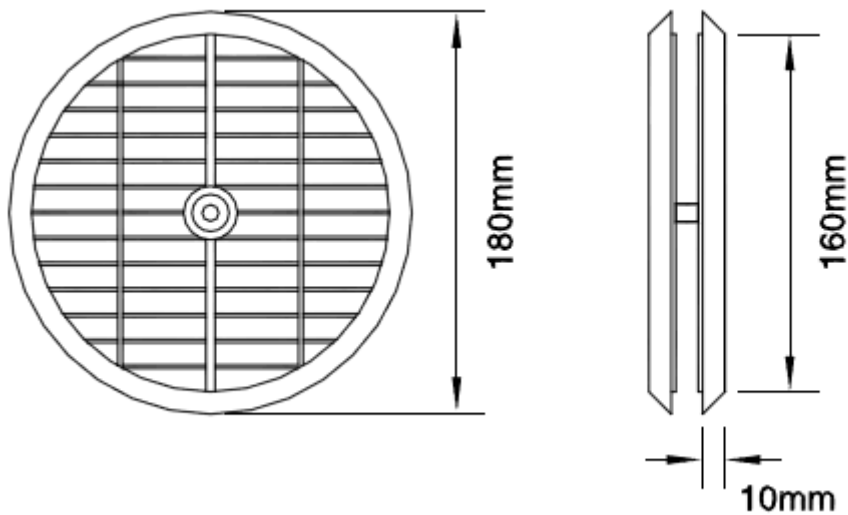
Standard White ABS plastic.

INSTALLATION:

System with hidden to middle screws is the standard.

ACCESSORIES:

Mosquito net upon request

**STANDARD SIZES (mm):****SELECTION TABLE:**

STANDARD DIAMETER (Ø mm)	FLOW (m ³ /h)
180	300

* Selection Table according to 3,0m / s speed



ORDER CODE :

PCYP	W – Ø180
-------------	-----------------