

**DESCRIPTION:**

PDV : Special design for heating, cooling, ventilation and air conditioning systems operating at low and medium pressure. Used in air ducts for supply and return air. The aerodynamic design offers very low pressure loss.

MATERIAL:

All made of ABS plastic

FUNCTION:

Its all-plastic construction appeals to all living spaces thanks to its powerful blowing and suction performance, high surface quality and temperature resistance. Plastic Disc Valves increases indoor air quality. At the same time energy, cost and time are saved.

FINISHING:

Standard White ABS plastic.

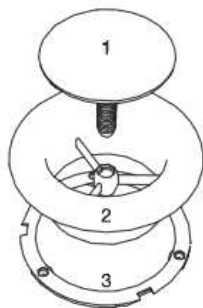
INSTALLATION :

System with screws is standard.

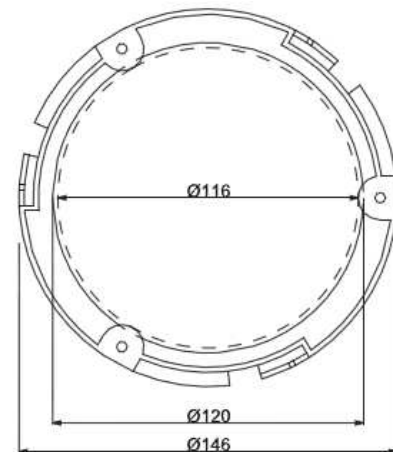
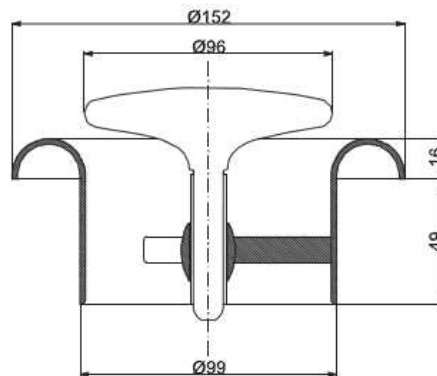


STANDARD SIZES (mm):

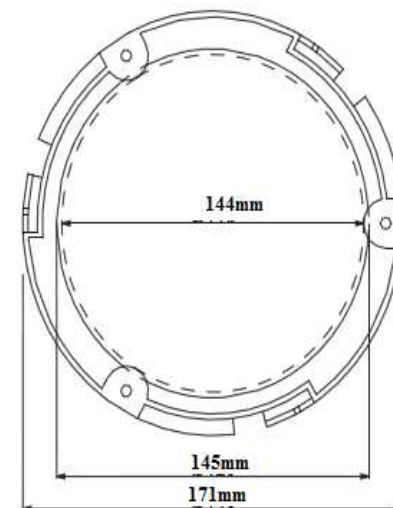
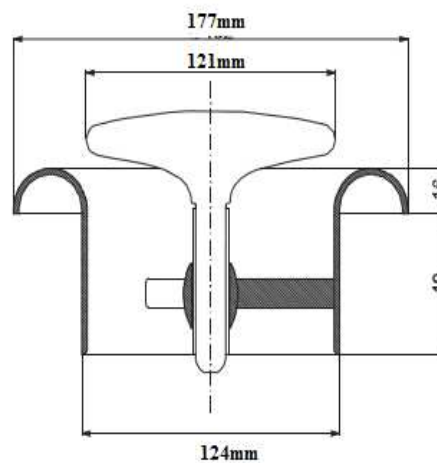
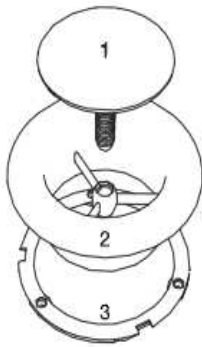
PDV – Ø100



1. Cover
2. Body
3. Mounting Bracelet

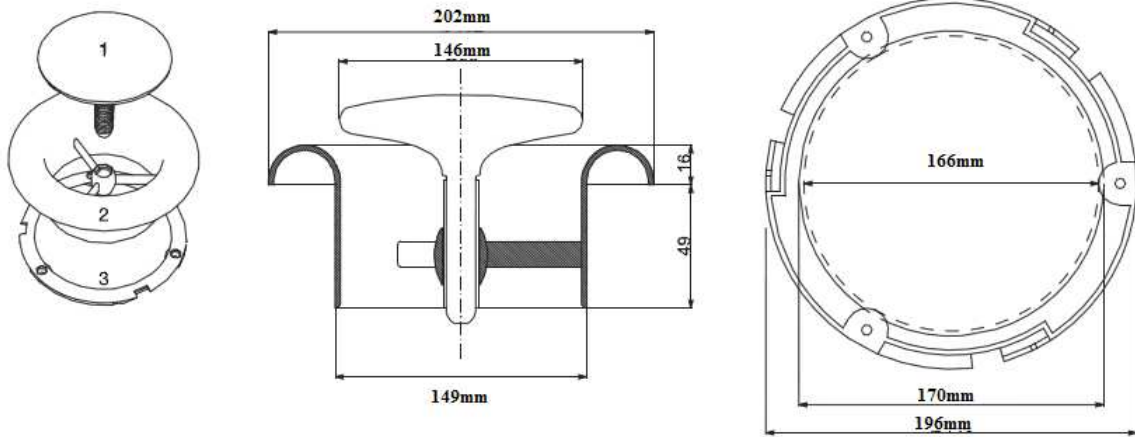


PDV – Ø125

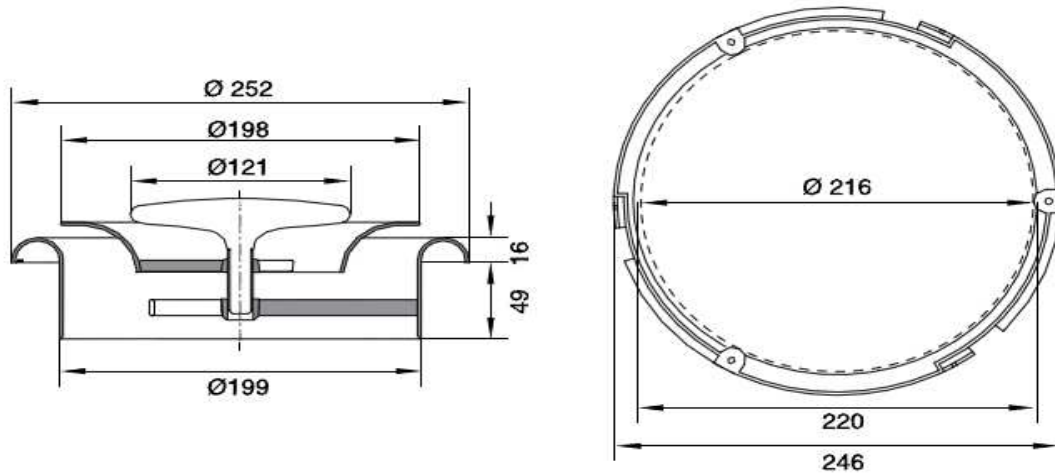




PDV – Ø150

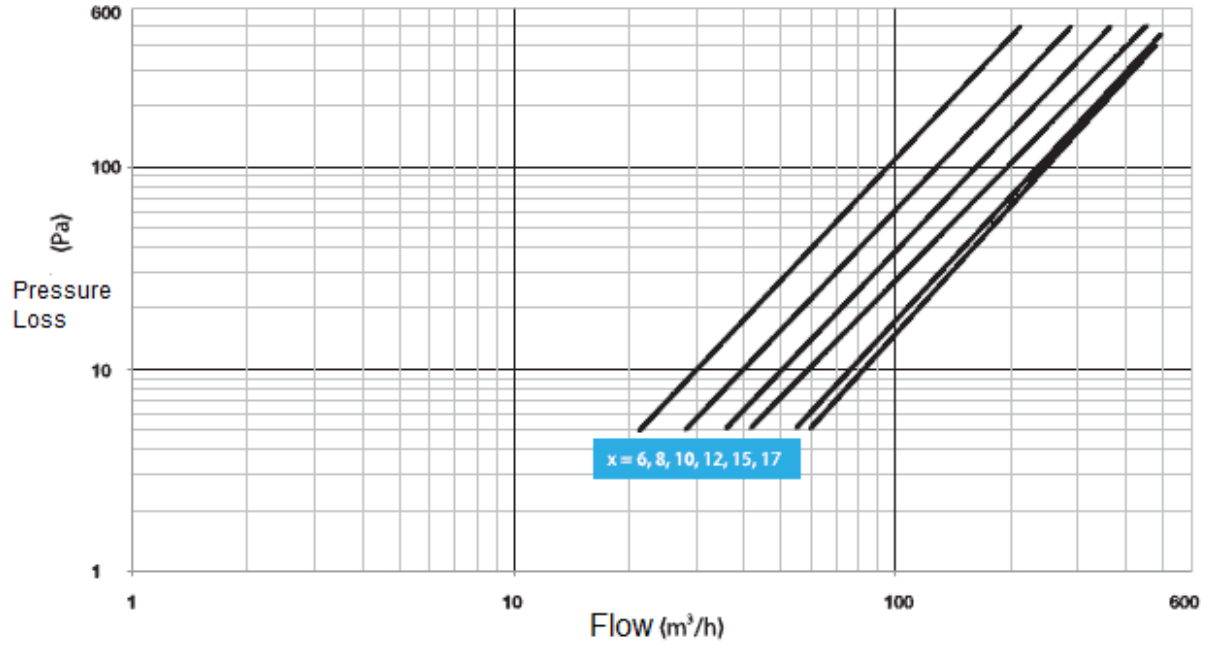


PDV – Ø200





PRESSURE LOSS



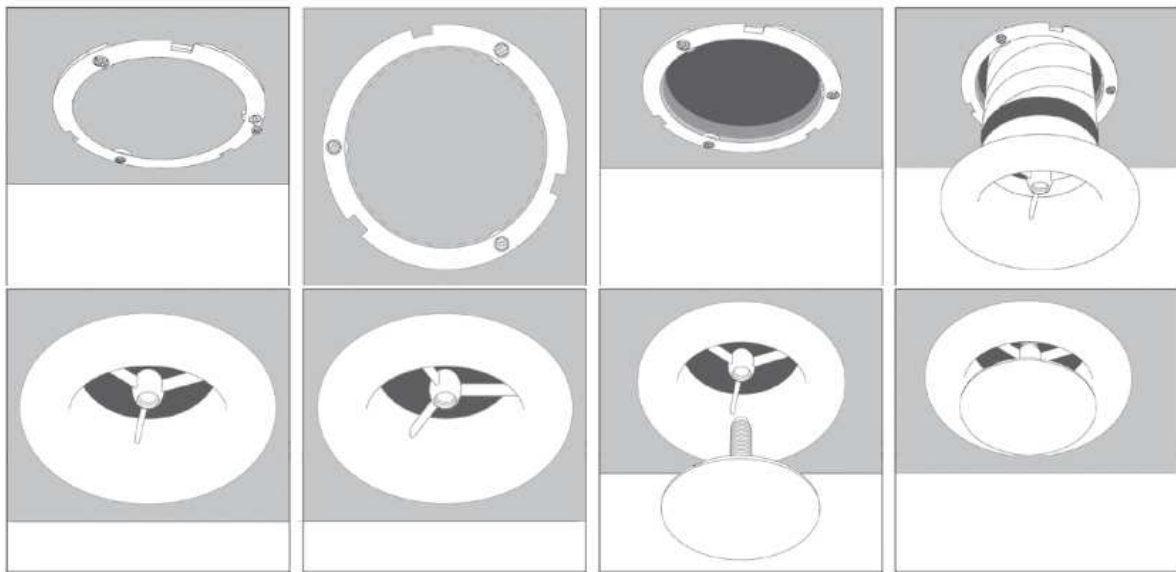
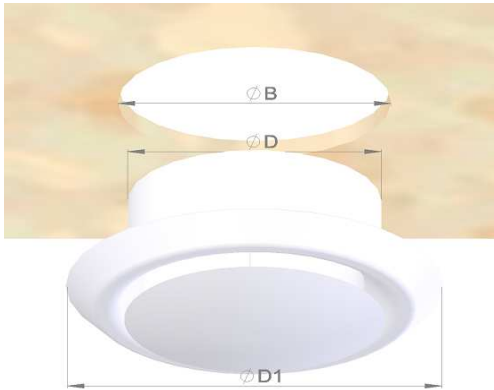
SELECTION TABLE

Standart ölçüler Standard sizes (ø)	Debi Air volume(m³/h)
100	140
125	200
150	280
200	350



MOUNTING DETAILS

1. Screw Mounting Details





ORDER CODE :

PDV	W Ø100
	Ø125
	Ø150
	Ø200