

**Iris Damper  
IR**



### DESCRIPTION:

IRIS dampers are a brilliantly simple solution for fast and exact measurement, balance and control of airflow. Their unique design is an ingenious application of the orifice plate principles in fluid dynamics, and allows for airflow to be regulated quickly and accurately at a single station.

This distinct IRIS damper feature saves time and money in initial installation, set-up and follow-up commissioning. It is ideal for any space requiring accurate airflow regulation, supply and exhaust tracking control, individual comfort control, or applications that require air balancing on a regular basis.

An IRIS damper comprises a casing, interlocking damper blades, a blade setting chart with an adjustment nut, airflow measurement pressure taps and an airflow adjustment chart.

### MATERIAL :

Galvanized metal sheet

### FUNCTION :

- It is possible to fully retract the blades of an IRIS damper, resulting in a completely open duct.
- When fully retracted, there is nothing obstructing the airway therefore resulting in a zero local pressure drop.
- Fully retractable blades allow for easy cleaning of a duct.
- A fully open IRIS damper results in a lower pressure drop than any conventional damper.

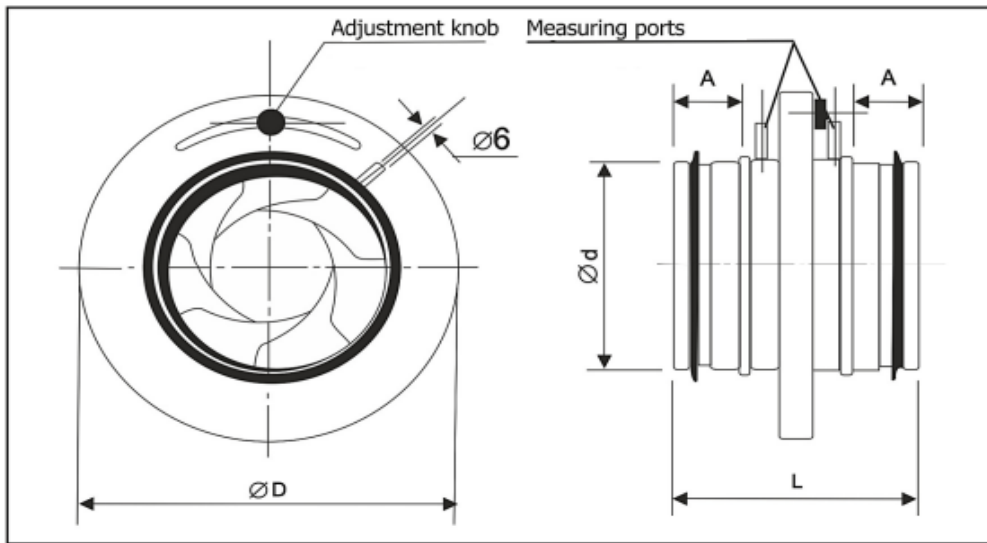
### FINISHING

- Mill Finish
- Powder Baked Epoxy

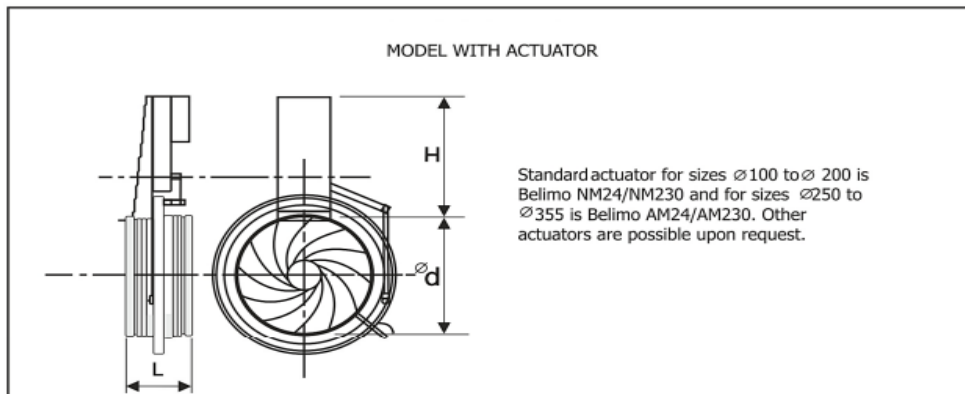
STANDARD SIZES (mm):

TYPE IR - AVAILABLE SIZES (mm)										
NECK DIAMETER										
100	125	150	160	200	250	315	355	400	500	630
X	X	X	X	X	X	X	X	X	X	X

DRAWING



Size	Ø d mm	Ø D mm	L mm	A mm	weight(kg)
100	99	165	110	30	0,60
125	124	188	110	30	0,90
150	149	230	110	30	1,20
160	159	230	110	30	1,20
200	199	285	110	30	1,60
250	249	335	135	40	2,10
315	314	410	135	40	3,50
355	354	450	135	40	4,50
400	398	525	190	60	6,40
500	498	655	210	70	9,60
630	628	815	210	70	15,60





PRESSURE DROP DATA

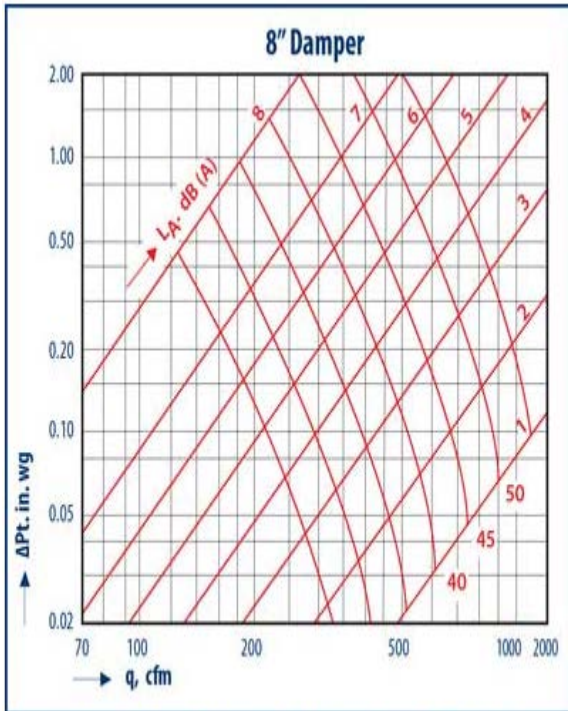


Figure 1: IRIS Damper Selection Curve (Typical)

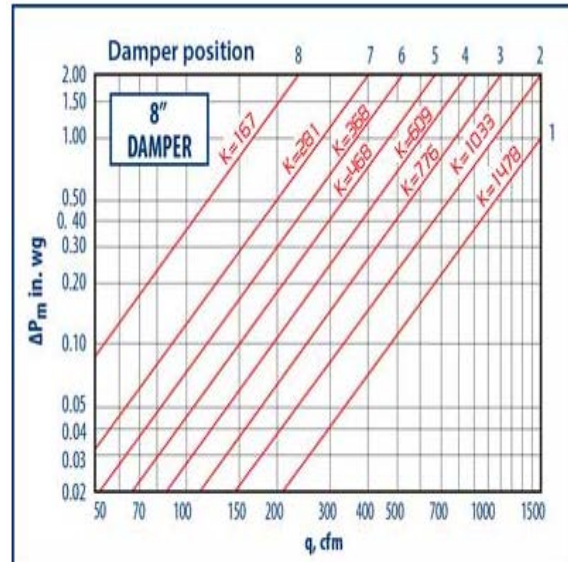


Figure 2: Airflow Adjustment Chart (Typical)

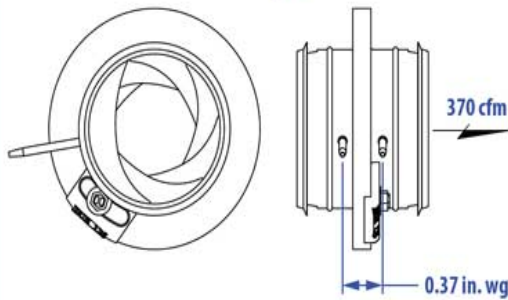
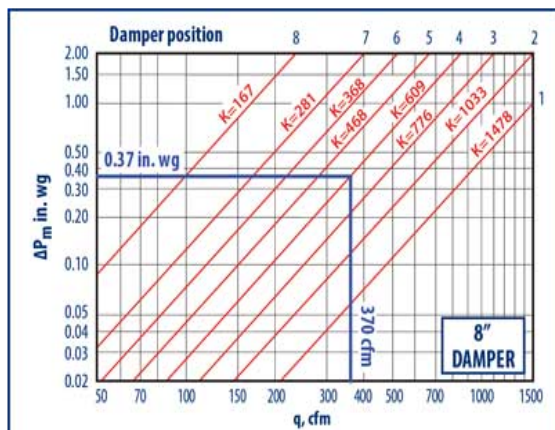


Figure 3

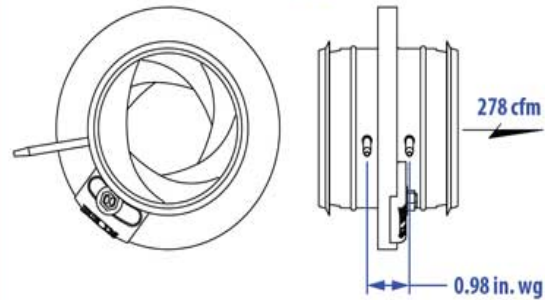
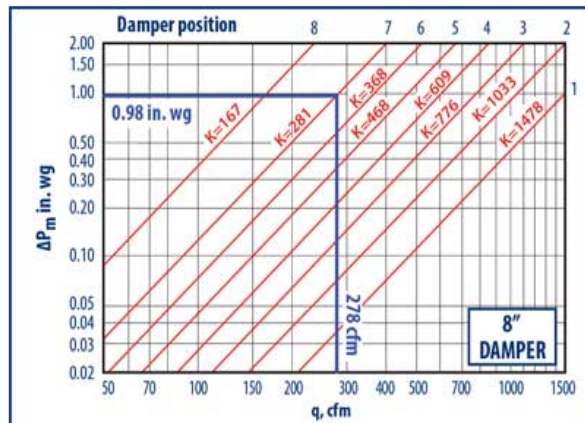


Figure 4



**ORDER CODE:**

<b>IR</b>	<b>A</b>	<b>01</b>	<b>L110</b>	<b>MNC</b>	<b>D 150</b>
<b>IR: Iris Type Model</b> <b>A: Aluminum Chasis (Op.)</b> <b>G: Galvanized Chasis</b>		<b>00: Lever Operated</b> <b>01: Pvc Gear Operated</b>		<b>D: Neck Diameter</b> <b>MNC: Manually Operated</b> <b>SRC: Servo-Operated</b> <b>L: Requested Product Length</b>	