



**Disc Valve  
DV122**

**DESCRIPTION:**

DV series valves are installed as supply or return diffusers with adjustable air flow. The air flow is adjusted by rotating the cone. Diffuser can be mounted in the ceiling

**MATERIAL :**

The frame and the disc are formed by spinning of DKP sheets. The springs are made of coated spring steel.  
Optional; Available in plastic and stainless steel.

**FUNCTION :**

The product is composed of an upper part, with neck sizes suitable with norm round duct sizes, fixed to the ceiling (Wall) and a lower part connected to the upper one with an adjustable threaded shaft.

The units is fixed in place by springs located on the upper part

**FINISHING :**

- Standard colours are RAL 9010 and RAL 9016 . Other colours are available.

**INSTALLATION :**

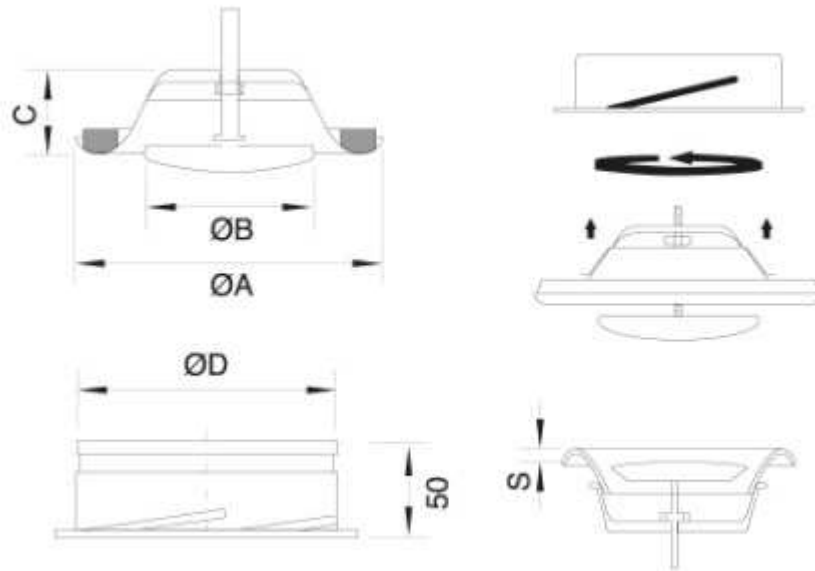
- Hide Screw Mounting (standart)

**ACCESSORIES:**

- Plenum box
- Additional fan

STANDARD SIZES (mm):

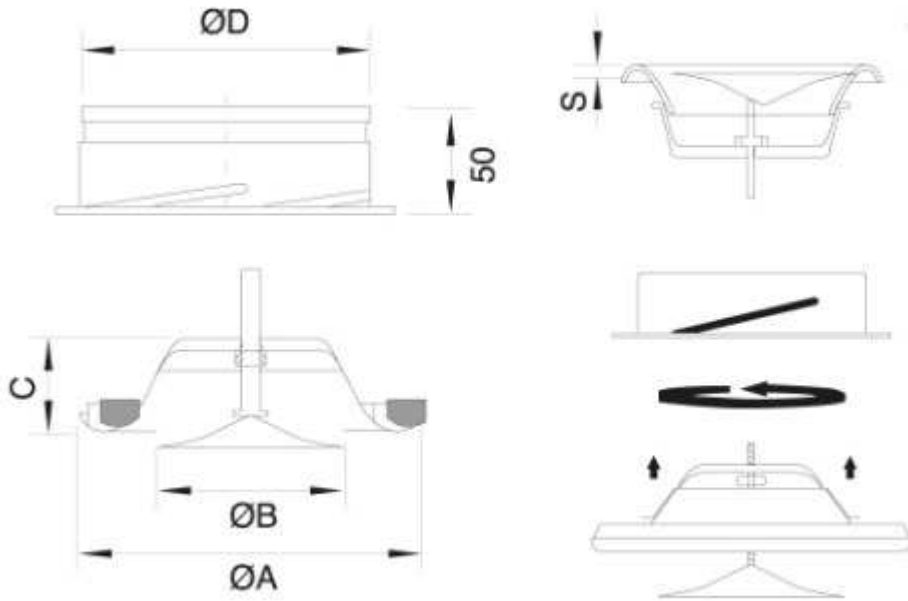
RETURN DISC VALVE (METAL)



Return Disc Valve (Metal)	A	B	C	D
Diameter : 100mm	138	75	40	97,5
Diameter : 125mm	164	100	46	122,5
Diameter : 150mm	202	120	50	147,5
Diameter : 160mm	211	130	54	157,5
Diameter : 200mm	248	158	63	197,5



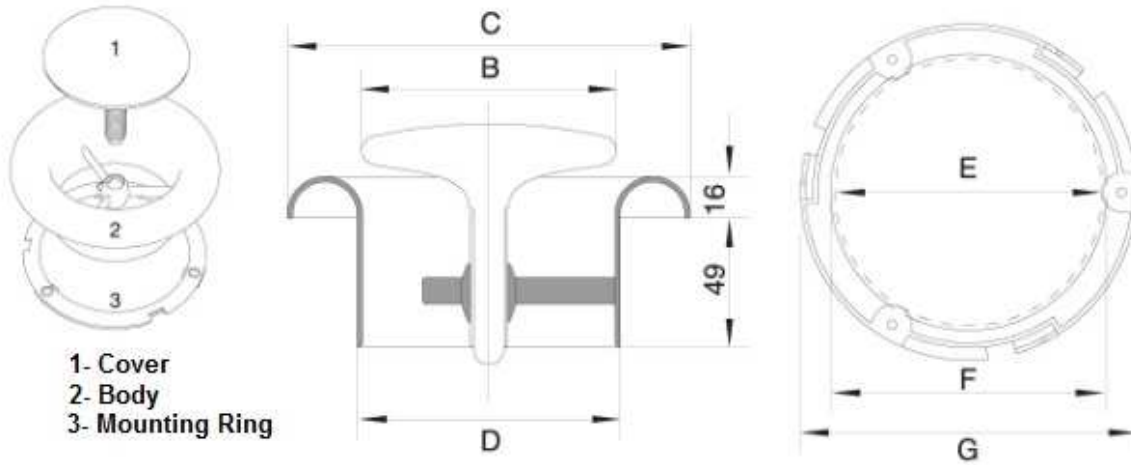
**SUPPLY DISC VALVE (METAL)**



Supply Disc Valve (Metal)	A	B	C	D
Diameter : 100mm	138	92	40	97,5
Diameter : 125mm	164	111	46	122,5
Diameter : 150mm	202	135	50	147,5
Diameter : 160mm	211	147	54	157,5
Diameter : 200mm	248	194	63	197,5



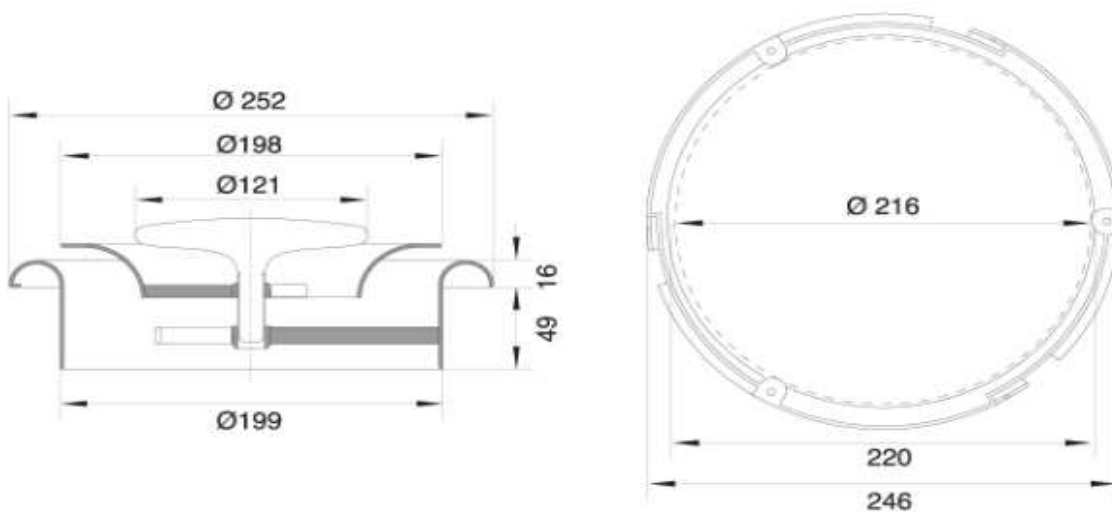
RETURN DISC VALVE (ABS PLASTIC)



- 1- Cover
- 2- Body
- 3- Mounting Ring

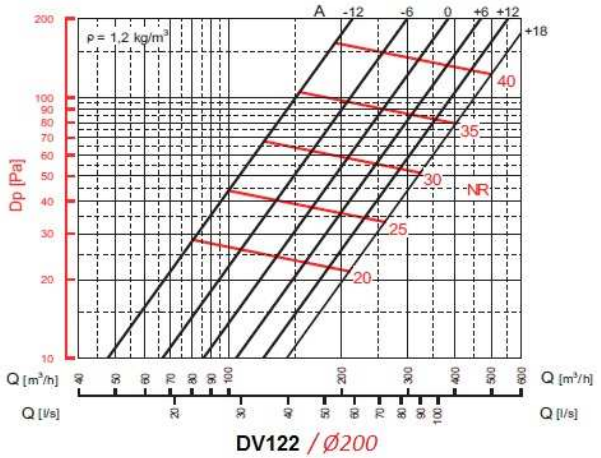
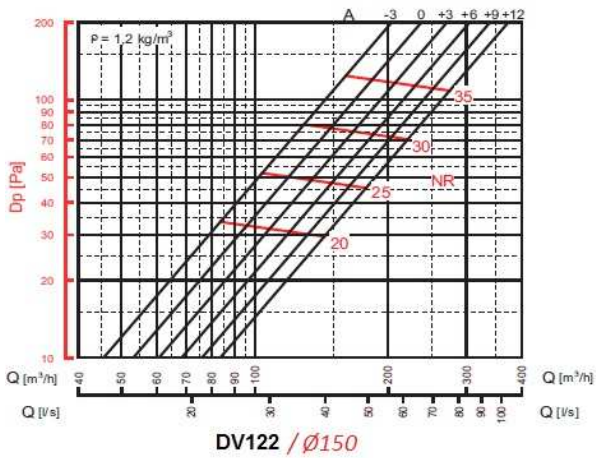
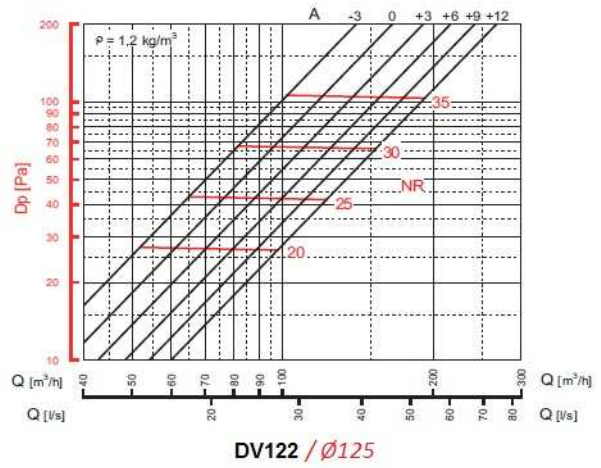
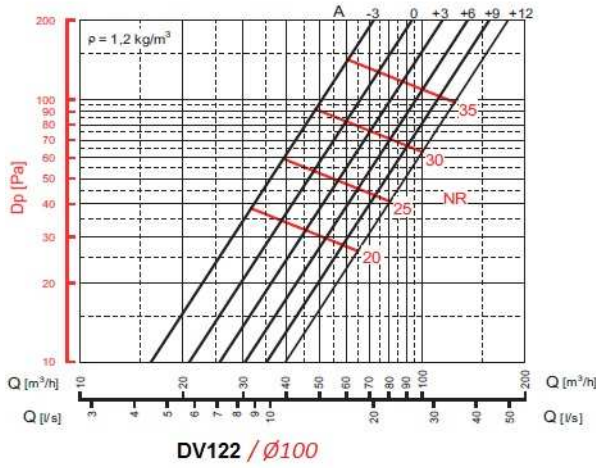
Model	A	B	C	D	E	F
Ø100 mm	99	96	152	146	120	116
Ø125 mm	124	121	177	171	145	141
Ø150 mm	149	146	202	196	170	166

Model	Diameter
Ø200 mm	Ø216





DATA DIAGRAMS



QUICK SELECTION TABLE

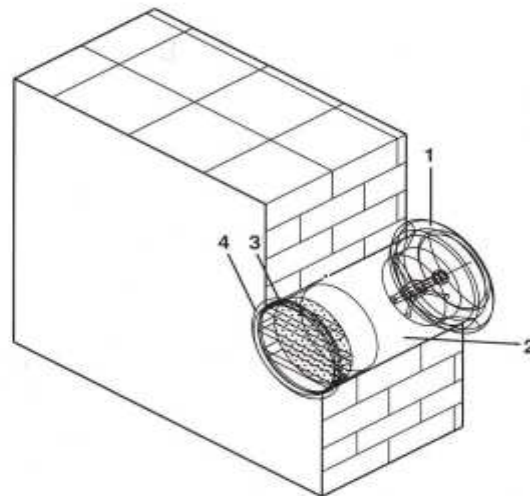
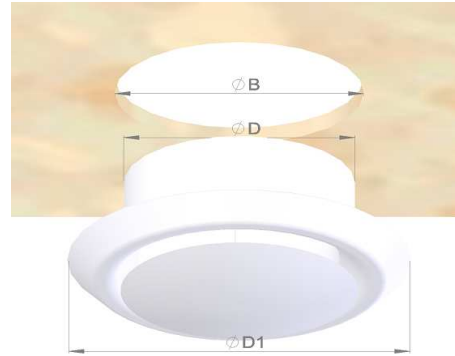
Standart Size (Ø)	Air Volume (m <sup>3</sup> /h)
100	140
125	200
150	280
200	350

**MOUNTING DETAILS :**

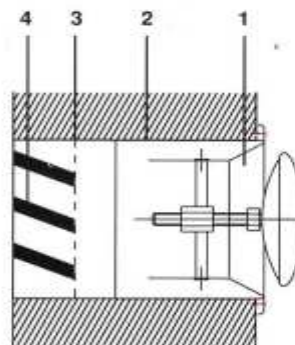
**Spring insulation**



**Hide Screw insulation**



- 1- Disc Valve
- 2- Connecting Pipe
- 3- wire mesh for louver
- 4- Circular Louver





**ORDER CODES**

DV122	RAL9010	SS	D 150
<b>DV122-R:</b> Return Disc Valve <b>DV122-S:</b> Supply Disc Valve <b>DV122-PR:</b> Return Plastic Disc Valve <b>DV122-SR:</b> Return Stainless Steel Disc Valve			<b>D = Neck Size</b> = 90 = 120 = 150 = 160 = 200
<b>00:</b> No coating <b>RAL----</b> : Oven Drying Coating			<b>00:</b> No Mounting <b>SM:</b> Hide Screw Mounting <b>SS:</b> Spring Mounting