



Jet Nozzle Diffusers DUK

**DESCRIPTION:**

Jet nozzles are the preferred solution wherever the supply air has to travel large distances from the point of discharge to the occupied zone. It is possible to adapt the discharge angle, and consequently the direction of the airflow, to heating or cooling mode. The supply air to room air temperature difference may range from –12 to +20 K.

DUK : Jet diffuser with adjustable throw angle and special frame

DUK-M : Jet diffuser with adjustable throw angle and special frame with motor

MATERIAL :

Aluminum

FUNCTION :

Adjustable and fixed jet nozzles achieve long throw distances and have excellent acoustic properties

- Nominal sizes: 100, 125, 160, 200, 250, 315 and 400 mm
- Volume flow rate range: 15 to 400 l/s or 54 to 1440 m³/h
- Visible parts made of aluminium
- For variable and constant volume flows
- Discharge angle can be adjusted manually or with an actuator

FINISHING :

- Powder coated in RAL9010 colour as standard. Other colours on request

INSTALLATION :

- Screw
- No Fixing

ACCESSORIES:

- Plenum box

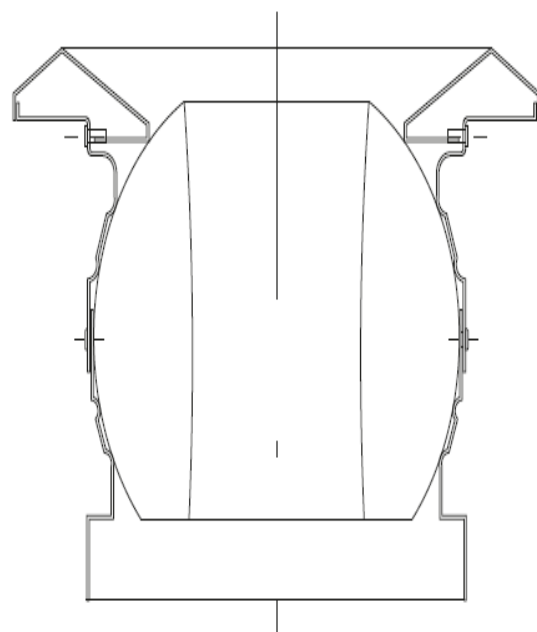
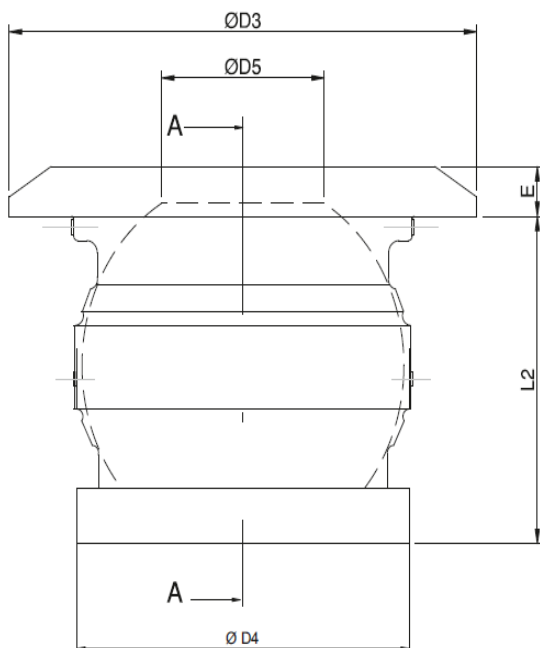


STANDARD SIZES (mm):

TYPE DUK - AVAILABLE SIZES (mm)						
NECK DIAMETER						
Ø100	Ø125	Ø160	Ø200	Ø250	Ø315	Ø400
X	X	X	X	X	X	X

DUK DIMENSIONS

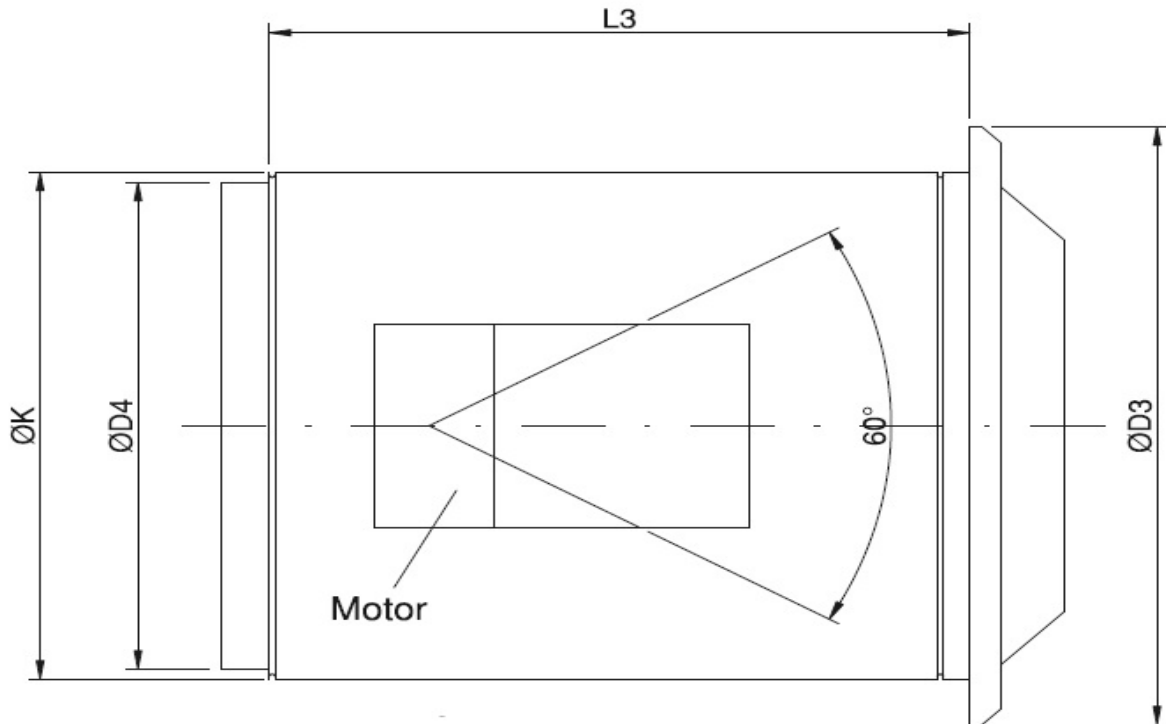
MODEL	D3	D4	E	K	L ₂
100	146	98	11	134	78
125	140	123	11	157	86
160	200	158	11	188	98
200	257	198	16	242	117
250	302	248	16	287	155
315	384	248	23	358	183
400	467	398	24	441	208



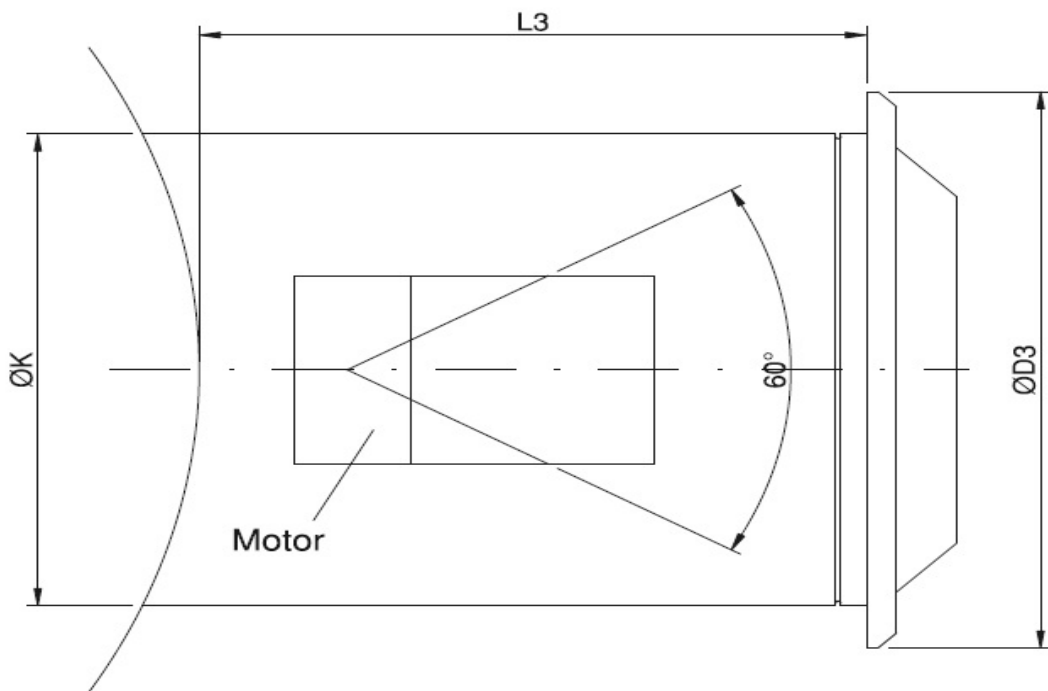
AA-CUT AWAY



Circular Duct Installation



Circular Duct Installation





Technical data

Nominal sizes	100, 125, 160, 200, 250, 315, 400 mm
Volume flow rate range	15 – 400 l/s or 54 – 1440 m ³ /h
Adjustable discharge angle	-30 to +30°
Supply air to room air temperature difference	-12 to +20 K

DUK SELECTION TABLE

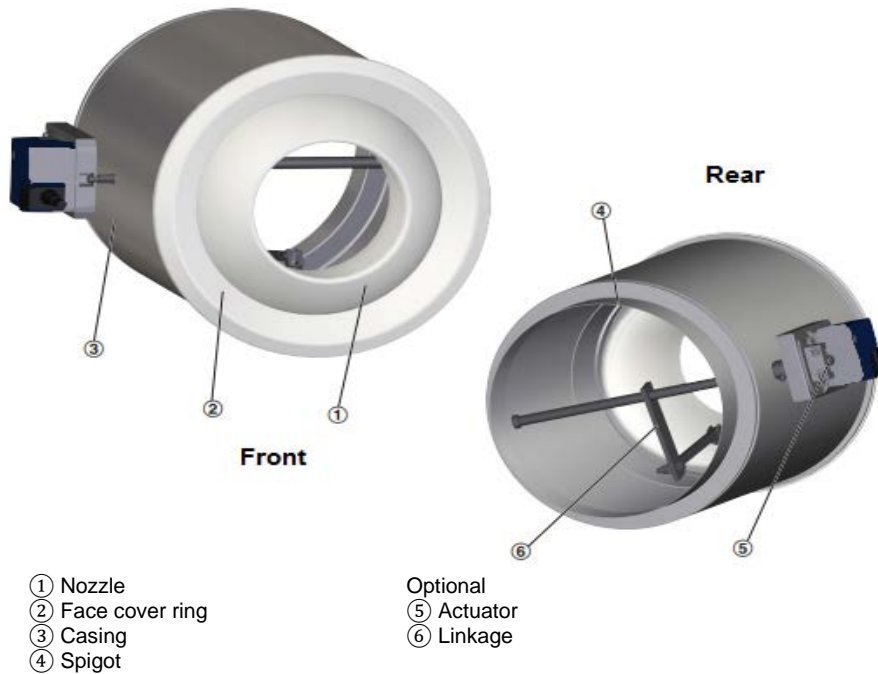
Nominal size	Volume flow rate l/s	Volume flow rate m ³ /h	Δp_t Pa	L_{WA} dB(A)	v_L	
					0.5 m/s	1.0 m/s
					L m	
100	8	28	11	<15	<5	<5
	15	54	38	<15	5	<5
	20	72	68	<15	7	<5
	30	108	152	30	10	5
125	15	54	13	<15	<5	<5
	30	108	49	<15	8	<5
	45	162	110	31	12	6
	60	216	196	42	16	8
160	20	72	9	<15	<5	<5
	40	144	36	<15	8	<5
	60	216	81	19	13	6
	80	288	144	30	17	8
200	35	126	10	<15	6	<5
	70	252	37	<15	11	6
	105	378	82	23	17	9
	140	504	145	35	23	11
250	55	198	9	<15	7	<5
	110	396	35	<15	14	7
	165	594	77	22	21	11
	220	792	137	34	28	14
315	90	324	9	<15	9	<5
	185	666	37	<15	18	9
	265	954	75	23	26	13
	360	1296	137	35	>30	18
400	155	558	6	<15	12	6
	310	1116	34	<15	24	12
	465	1674	75	29	>30	18
	620	2232	133	40	>30	24

All values apply to discharge angle 0°

L: Throw distance with isothermal operation

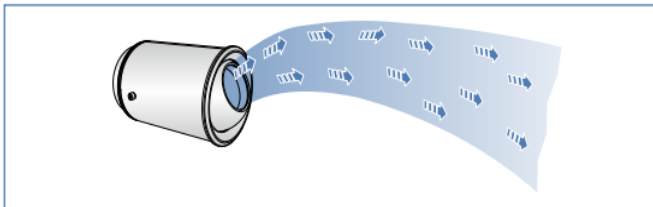


Schematic illustration of DUK-M for push fitting directly onto circular ducts

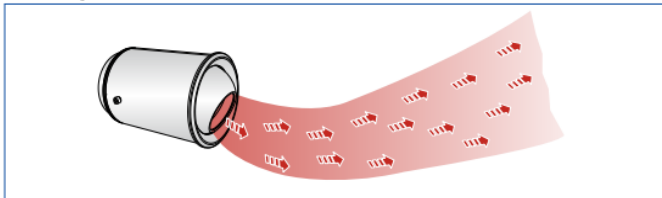


Function

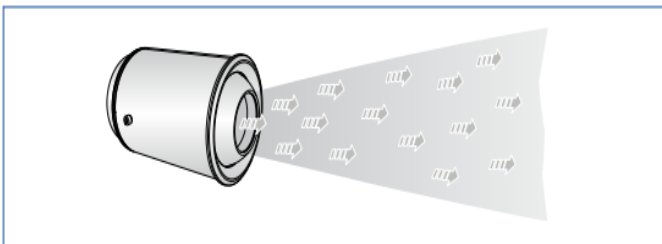
Cooling Mode



Heating Mode



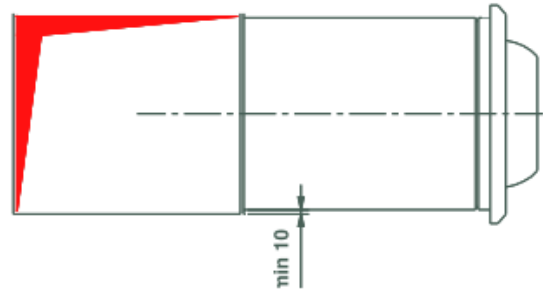
isothermal ventilation



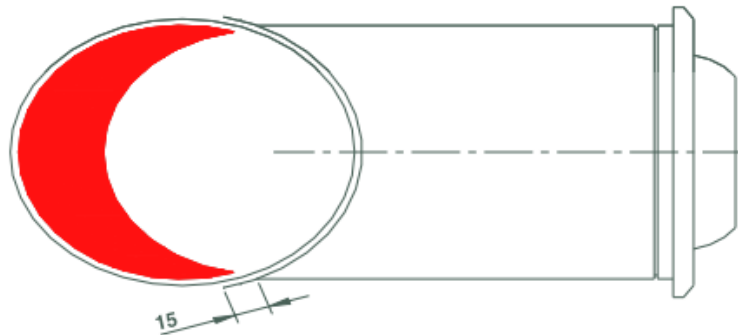
**INSTALLATION:**

Jet nozzles are suitable for mounting on rectangular or circular ducts. For both connection types, there is a circular drilled flange appropriate to be fixed with screws or rivets.

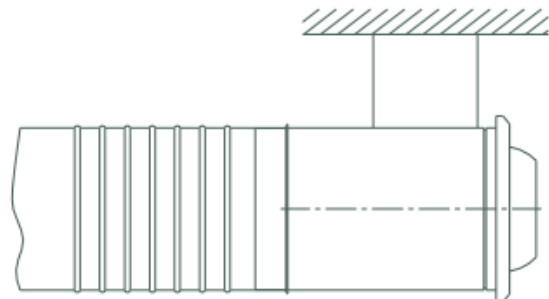
Rectangular duct connection example



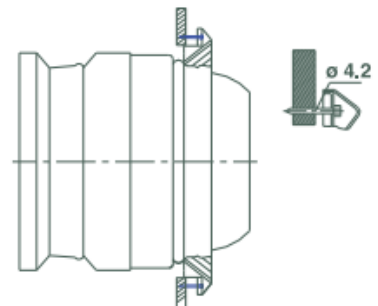
Round duct connection example



Flexible duct connection example



Wall installation example





ORDER CODES

DUK	00	RAL9010	SM	D 315mm
DUK: without Actuator DUK-M : With Actuator				D: Neck Diameter
00: Without Plenum Box PL: With Plenum Box		00: No Mounting SM: Screw Mounting 00: No coating EX: Eloxal Coating RAL----: Powder Coating		