**DESCRIPTION:**

SG : Double deflection Supply Grilles, with adjustable horizontal and vertical blades.

SGH: Horizontal Blade Front, Vertical Blade Rear

SGV: Vertical Blade Front, Horizontal Blade Rear

MATERIAL :

Specially extruded from 6063 aluminium profile.

FUNCTION :

It is used as air extraction and supply grille in air ventilation systems.

FINISHING :

- Standard finishing is durable white powder coat finish
- Standard colours are RAL 9010 and RAL 9016 . Other colours are available.

INSTALLATION :

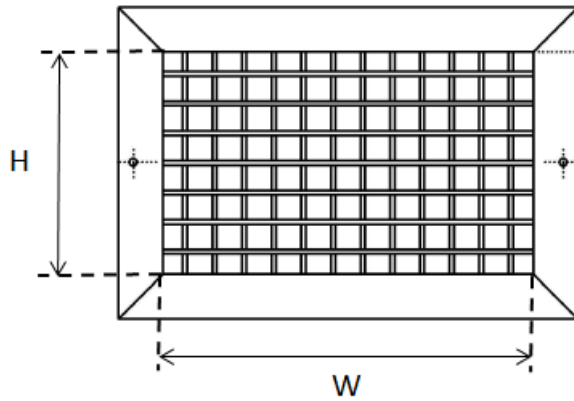
- System with screws is standard.
- System with clips and plate spring is used if no hole is requested on the frame.

ACCESSORIES:

If desired, it is possible to add a damper to adjust the amount of air to be collected.

- Multi-Shutter Damper
- Opposed Blade Damper

PK: Plenum Box


STANDARD SIZES (in) :

AVAILABLE SIZES (in.) - Always width x height

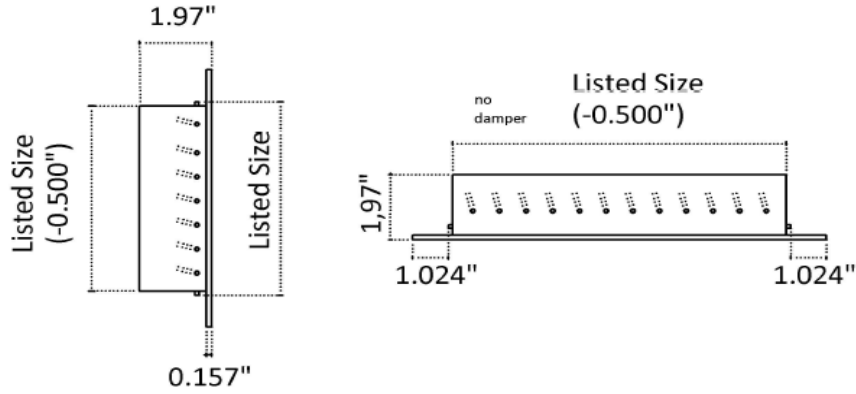
HEIGHT	WIDHT										
	6	8	10	12	14	16	18	20	24	30	36
4	X	X	X	X	X	X	X	X	X	X	X
5	X	X	X	X	X	X	X	X	X	X	X
6	X	X	X	X	X	X	X	X	X	X	X
8	X	X	X	X	X	X	X	X	X	X	X
10	X	X	X	X	X	X	X	X	X	X	X
12	X	X	X	X	X	X	X	X	X	X	X
14	X	X	X	X	X	X	X	X	X	X	X
16	X	X	X	X	X	X	X	X	X	X	X
18	X	X	X	X	X	X	X	X	X	X	X
20	X	X	X	X	X	X	X	X	X	X	X
24	X	X	X	X	X	X	X	X	X	X	X

* Any combination of these sizes

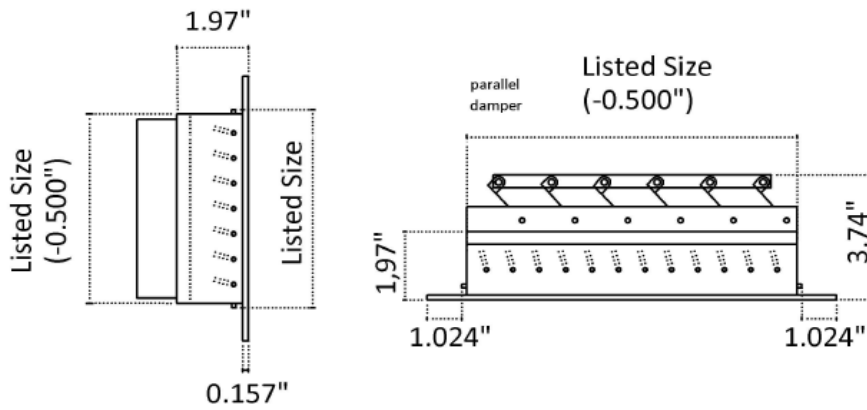


DRAWINGS:

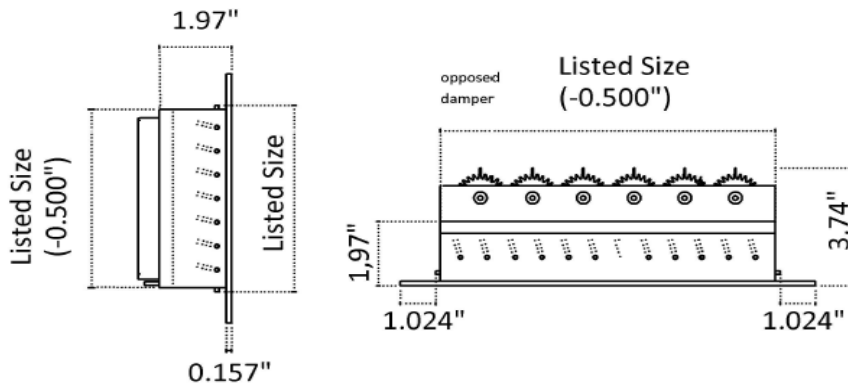
SG - DOUBLE DEFLECTION SUPPLY GRILLE (without damper)



SG-MULTI SHUTTER DAMPER



SG-OPPOSED BLADE DAMPER





PERFORMANCE DATA

Face Jet Velocity	400	500	600	700	800	900	1000	1100	1200	1300	1400	1600	1800	2000		
Total Pressure Loss	0.010	0.016	0.022	0.031	0.040	0.050	0.060	0.075	0.090	0.105	0.125	0.160	0.205	0.250		
Size	Free Area AK															
6x4	0.126	CFM	49	63	76	84	100	113	126	132	147	160	170	200	250	
		Throw	5	7	8	10	11	13	15	17	19	20	22	24	28	31
		NC	30	30	30	30	35	35	35	35	35	35	35	40	40	40
6x6	0.193	CFM	77	92	110	130	150	169	190	210	227	245	262	300	340	377
		Throw	7	9	10	12	13	15	17	19	21	22	24	26	30	34
		NC	30	30	30	30	35	35	35	35	35	35	35	40	40	40
8x4	0.164	CFM	65	80	100	110	130	145	162	173	190	210	224	260	300	320
		Throw	6.5	8	10	11	13	15	16	18	19	21	23	26	29	32
		NC	30	30	30	30	35	35	35	35	35	35	35	40	40	40
8X6	0.251	CFM	100	120	145	170	195	220	245	270	300	315	340	390	440	490
		Throw	8	10	12	14	16	18	20	22	24	26	28	32	36	40
		NC	30	30	30	30	35	35	35	35	35	35	35	40	40	40
10x4	0.207	CFM	80	100	120	140	160	185	200	224	248	265	285	325	365	405
		Throw	7	9	11	13	14	16	18	20	22	24	26	29	33	36
		NC	30	30	30	30	35	35	35	35	35	35	35	40	40	40
10x6	0.326	CFM	125	155	190	220	250	285	315	345	375	410	440	500	565	630
		Throw	9	11	14	16	18	21	23	25	27	30	32	36	41	45
		NC	30	30	30	30	35	35	35	35	35	35	35	40	40	40
10x10	0.536	CFM	204	256	308	356	410	456	512	564	616	665	720	812	912	968
		Throw	10	12	14	16	18	21	23	25	27	30	32	36	41	45
		NC	30	30	30	30	30	30	30	35	35	35	35	40	40	40
12x4	0.251	CFM	100	120	145	170	195	220	245	270	295	315	340	390	440	490
		Throw	8	10	12	14	16	18	20	22	24	26	28	32	36	40
		NC	30	30	30	30	35	35	35	35	35	35	35	40	40	40
12x6	0.395	CFM	150	190	225	265	305	340	390	415	455	495	530	605	680	760
		Throw	10	12	15	17	20	22	25	27	30	33	35	40	45	50
		NC	30	30	30	30	35	35	35	35	35	35	35	40	40	40
12x08	0.532	CFM	205	255	300	355	410	450	510	560	610	665	715	815	920	1020
		Throw	12	15	16	20	23	26	29	32	35	38	41	47	53	58
		NC	30	30	30	30	35	35	35	35	35	35	35	40	40	45
12x10	0.670	CFM	255	320	385	445	510	570	640	705	770	830	895	1015	1140	1210
		Throw	13	16	19	23	26	29	32	36	39	42	45	52	58	65
		NC	30	30	30	30	35	35	35	35	35	35	35	40	40	45
12x12	0.807	CFM	310	385	465	540	615	700	770	850	925	1000	1080	1235	1380	1540
		Throw	15	19	23	26	30	34	38	41	45	49	53	60	68	75
		NC	30	30	30	30	35	35	35	35	35	35	40	40	40	45
14x4	0.295	CFM	115	145	170	200	230	255	285	315	345	370	400	460	515	570
		Throw	8.5	11	13	15	17	20	22	24	26	28	30	35	39	43
		NC	30	30	30	30	35	35	35	35	35	35	35	40	40	40
14x6	0.464	CFM	180	220	265	310	355	400	445	490	535	575	620	710	800	890
		Throw	11	13	16	19	22	24	27	30	32	35	38	43	49	54
		NC	30	30	30	30	35	35	35	35	35	35	35	40	40	45
14x8	0.632	CFM	235	295	355	415	485	535	615	685	735	795	855	985	1105	1185
		Throw	12	15	18	22	25	28	30	34	37	40	43	50	56	63
		NC	30	30	30	30	35	35	35	35	35	35	35	40	40	45
14x10	0.805	CFM	308	382	460	536	615	690	762	846	920	994	1072	1230	1370	1530
		Throw	15	19	23	26	30	34	38	41	45	49	53	60	68	75
		NC	30	30	30	30	35	35	35	35	35	35	40	40	40	45
14x14	0.111	CFM	425	530	630	735	840	945	1050	1155	1260	1355	1460	1675	1835	2095
		Throw	17	21	25	29	33	37	41	46	50	54	58	66	74	82
		NC	30	30	30	30	35	35	35	35	35	35	40	40	40	45
16x6	0.532	CFM	205	255	305	355	410	450	510	560	610	665	715	815	920	1020
		Throw	12	15	17	20	23	26	29	32	35	38	41	47	53	58
		NC	30	30	30	30	35	35	35	35	35	35	35	40	40	45
16x8	0.726	CFM	265	340	400	465	535	605	685	745	825	880	945	1075	1200	1280
		Throw	14	17	20	24	27	30	34	38	41	44	47	54	60	68
		NC	30	30	30	30	35	35	35	35	35	35	35	40	40	45
16x16	1.552	CFM	565	708	886	992	1,135	1,277	1,420	1,558	1,700	1,842	1,985	2,270	2,550	2,835
		Throw	19	23	27	32	35	42	45	51	56	60	65	72	85	93
		NC	30	30	30	30	35	35	35	35	35	35	40	40	40	45
18x18	1.891	CFM	713	891	1069	1253	1431	1610	1787	1970	2155	2320	2500	2857	3213	3575
		Throw	21	26	31	37	42	47	52	57	63	68	73	83	94	104
		NC	30	30	30	30	35	35	35	35	35	40	40	40	45	45
20x6	0.670	CFM	255	320	385	445	510	570	640	705	770	830	895	1015	1140	1210
		Throw	13	16	19	23	26	29	32	36	39	42	45	52	58	65
		NC	30	30	30	30	35	35	35	35	35	35	35	40	40	45



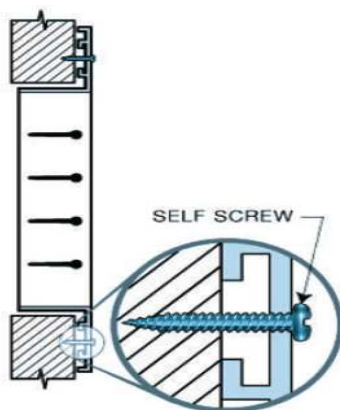
20x8	0.914	CFM	345	435	520	610	695	780	870	955	1040	1130	1215	1380	1560	1735
		Throw	14	18	21	25	28	32	35	39	43	46	50	57	64	71
		NC	30	30	30	30	35	35	35	35	35	40	40	40	45	45
24x6	0.807	CFM	310	385	465	540	615	695	770	850	925	1000	1080	1235	1380	1540
		Throw	15	19	23	26	30	34	38	41	45	49	53	60	68	75
		NC	30	30	30	30	35	35	35	35	35	40	40	40	45	45
24x8	0.110	CFM	420	525	625	730	835	940	1045	1150	1255	1350	1455	1670	1830	2090
		Throw	17	21	25	29	33	37	41	46	50	54	58	66	74	82
		NC	30	30	30	30	35	35	35	35	35	40	40	40	45	45
24x12	1.689	CFM	635	795	1000	1115	1275	1440	1595	1750	1910	2070	2230	2550	2865	3185
		Throw	20	25	31	36	41	47	51	56	61	66	71	82	92	102
		NC	30	30	30	30	35	35	35	35	40	40	40	45	45	45
30x6	1.014	CFM	385	485	580	675	775	870	965	1055	1180	1255	1355	1545	1740	1935
		Throw	16	20	24	29	33	37	40	44	48	51	56	63	71	79
		NC	30	30	30	30	35	35	35	35	35	40	40	40	45	45
30x8	1.451	CFM	501	631	755	878	1,008	1,131	1,255	1,370	1,534	1,632	1,760	2,009	2,262	2,516
		Throw	19	23	27	32	35	42	45	51	56	60	65	72	85	93
		NC	30	30	30	30	35	35	35	35	35	40	40	40	45	45
30x10	1.751	CFM	660	825	990	1160	1325	1490	1655	1820	1995	2150	2315	2645	2975	3310
		Throw	21	26	31	37	42	47	52	57	63	68	73	83	94	104
		NC	30	30	30	30	35	35	35	35	40	40	40	45	45	45
30x12	1.989	CFM	800	1000	1200	1435	1640	1845	2050	2255	2460	2665	2870	3280	3690	4100
		Throw	24	30	36	42	48	54	59	65	71	77	83	95	107	119
		NC	30	30	30	35	35	35	35	35	40	40	40	45	45	45
36x10	1.989	CFM	795	995	1195	1390	1595	1790	1994	2189	2380	2580	2785	3180	3588	3960
		Throw	23	29	34	40	46	51	57	63	68	74	80	91	103	114
		NC	30	30	30	35	35	35	35	35	40	40	40	45	45	45

Velocity: The actual velocity of the air through the vanes measured with a velometer or similar device.

Throw : The throws noted in the tables are the distance from the register to where the air stream has velocity has dropped to not under 75 F.P.M.

MOUNTING DETAILS

1. Screw Mounting Details

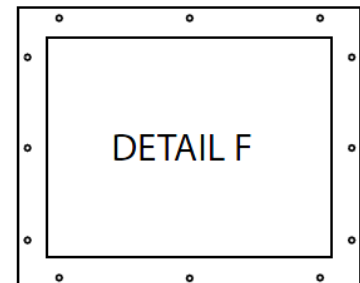
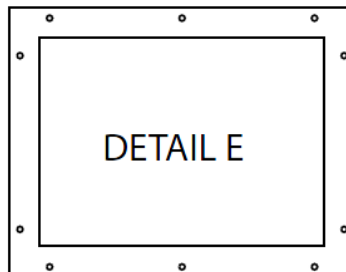
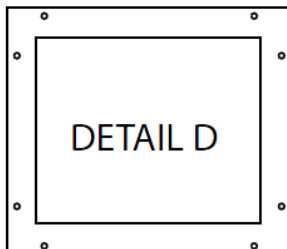
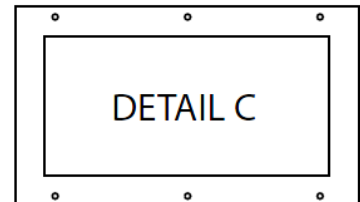
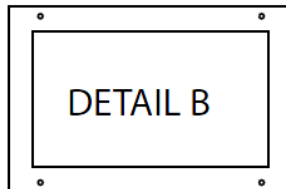




Mounting Hole Guide for Products

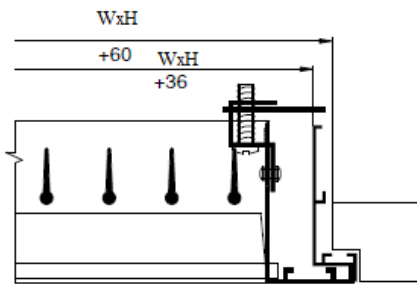
The following products in this section have embossed (recessed) mounting holes.

		WIDHT																							
		6	8	10	12	14	16	18	20	22	24	26	28	30	32	34	36	38	40	42	44	46			
HEIGHT	4																								
	5																								
	6							A 2 Holes						B 4 Holes						C 6 Holes					
	8							A 2 Holes						B 4 Holes						C 6 Holes					
	10							A 2 Holes						B 4 Holes						C 6 Holes					
	12							A 2 Holes						B 4 Holes						C 6 Holes					
	14							A 2 Holes						B 4 Holes						C 6 Holes					
	16							A 2 Holes						B 4 Holes						C 6 Holes					
	18							A 2 Holes						B 4 Holes						C 6 Holes					
	20							B 4 Holes						D 8 Holes						E 10 Holes					
	22							B 4 Holes						D 8 Holes						E 10 Holes					
	24							B 4 Holes						D 8 Holes						E 10 Holes					
	26							B 4 Holes						D 8 Holes						E 10 Holes					
	28							B 4 Holes						D 8 Holes						E 10 Holes					
	30							C 6 Holes						E 10 Holes						F 12 Holes					
	32							C 6 Holes						E 10 Holes						F 12 Holes					
	34							C 6 Holes						E 10 Holes						F 12 Holes					
	36							C 6 Holes						E 10 Holes						F 12 Holes					
	38							C 6 Holes						E 10 Holes						F 12 Holes					

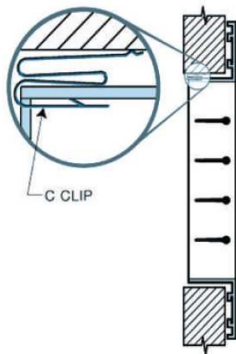




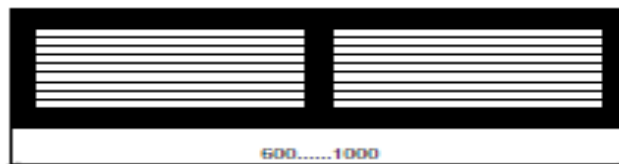
2. Clips Latch Mounting Details



3. Clips Spring Mounting Details



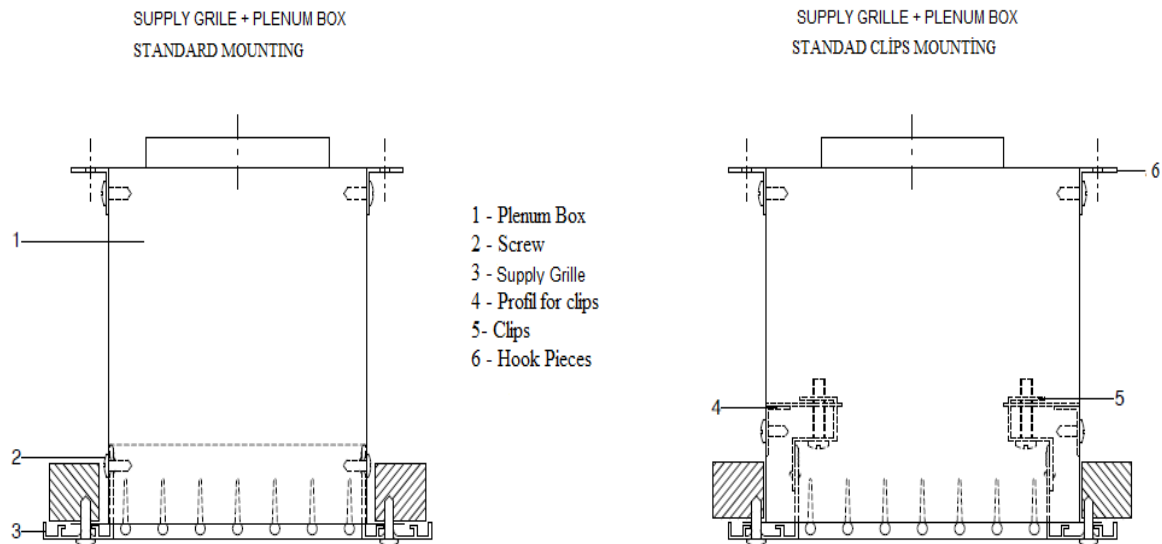
SUPPORT PLACEMENT



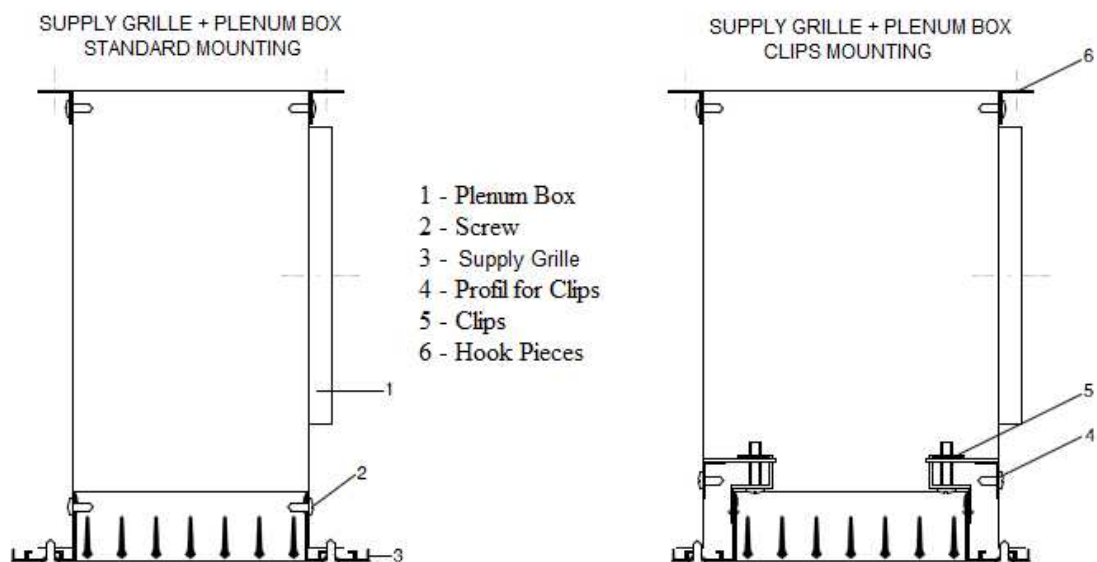


SUPPLY GRILLES PLENUM BOX MOUNTING DETAILS

1 – TOP ENTRY PLENUM BOX MOUNTING DETAILS



2 - SID ENTRY PLENUM BOX MOUNTING DETAILS

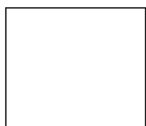




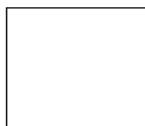
FINISHES



POWDER COAT



WHITE



PURE WHITE



OFF WHITE



GREY



SILVER



BLACK

ANODIZED



AC ANODIZED CLEAR



ACH ANODIZED
CHAMPAGNE



ALB ANODIZED
LIGHT BRONZE



AMB ANODIZED
MEDIUM
BRONZE



ADB ANODIZED
DARK BRONZE



AB ANODIZED BLACK

OTHER FINISHES



MILL

Available on aluminum products. Untreated from the mill, unpainted.



CUSTOM

Custom colors and simulated anodized finishes can be accurately matched to supplied color samples.



RAL

RAL Catalog Colors



ORDER CODES

SG	V	WD	01	SM	N 300X200
SG-H: Horizontal Blade Front Vertical Blade Rear SG-V: Vertical Blade Front Horizontal Blade Rear					N: Neck Size Listed Size F: Frame Size
WD- WITHOUT DAMPER MD- MULTI SHUTTER DAMPER OD- OPPOSED BLADE DAMPER					SM: Screw Mounting CLM: Clips Latch Mounting CPM: Clips Spring Mounting
			01.White - 02.OFF White - 03. Silver 06.Mill Finish (without coating) 04.Anodized Coating - 05.Black 07.Custom-08.RAL Catalog Colors		