



## Motorized Circular Control Damper CCD-M



### DESCRIPTION:

Volume Control damper is widely used in heating, ventilation and air-conditioning applications (HVAC Damper) in order to maintain or control the air volume inside the duct. These dampers facilitate the air flow to each zone and each room to be controlled during testing & commissioning. The blades may be parallel or opposed type depending on the requirement.

Volume control damper can be mounted either horizontally or vertically. However, care should be taken to mount the damper, by orienting the blades in the direction of the desired airflow. Gmcair provides several types of volume control dampers to choose from.

Circular Volume Control Damper are commonly used in plenum mouths where flexible ducts are connected. They are also used in round ducts.

CCD-M : Galvanised sheet metal with actuator

CCD-MF: Galvanised sheet metal with actuator and flange

### MATERIAL :

Galvanized Metal Sheet.

### CHARACTERISTICS:

- The damper blade is equipped with a gasket.
- Seals gaskets at both ends.
- Connecting shaft for servomotor.
- The actuator (servomotor) is selected depending on the size of the damper, voltage and other technical details mentioned in the project.

### MATERIAL AND FINISHING

- Damper's casing and blade are made of galvanized steel sheet.
- Rubber sealing gasket.

### ACCESSORIES:

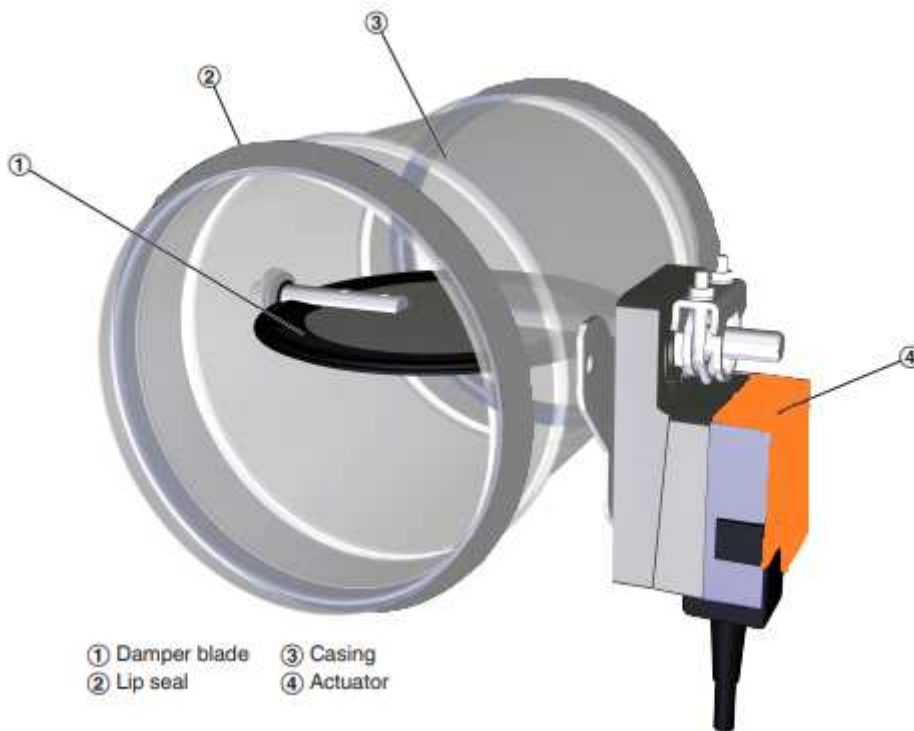
- BELIMO-SIEMENS actuator (servomotor) without safety function.
- BELIMO-SIEMENS actuator (servomotor) with safety function



STANDARD SIZES (mm):

TYPE CCD-M - AVAILABLE SIZES (mm)																
Ø NECK DIAMETER																
100	125	150	160	180	200	224	250	280	300	315	355	400	450	500	560	
X	X	X	X	X	X	X	X	X	X	X	X	X	X	X	X	X

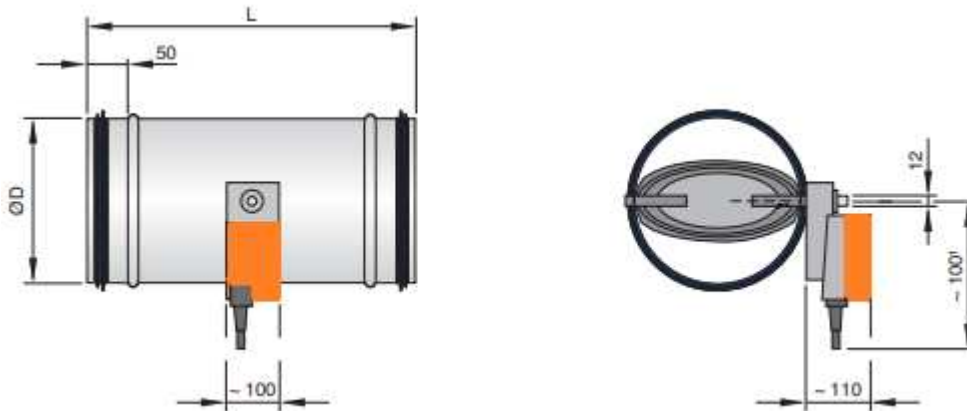
FUNCTION





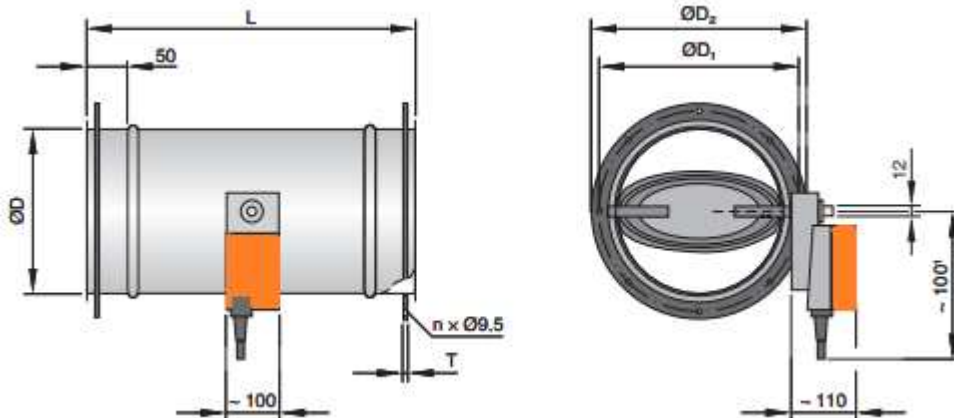
DRAWING

CCD-M



Nominal size	ØD		L	
	mm		mm	
100	99		250	
125	124		250	
160	159		250	
200	199		250	
250	249		250	
315	314		400	
400	399		400	

CCD-MF



Nominal size	ØD	L	ØD <sub>1</sub>	ØD <sub>2</sub>	n	T
	mm	mm	mm	mm		
100	99	230	132	152	4	4
125	124	230	157	177	4	4
160	159	230	192	212	6	4
200	199	230	233	253	6	4
250	249	230	283	303	6	4
315	314	380	352	378	8	4
400	399	380	438	464	8	4



## SELECTION

Ø	Air flow [m <sup>3</sup> /h]	V [m/s]	α = 15°		α = 30°		α = 45°		α = 60°	
			ΔPt [pa]	LW [dB]	ΔPt [pa]	LW [dB]	ΔPt [pa]	LW [dB]	ΔPt [pa]	LW [dB]
100	53	2	3	6	8	14	36	25	194	41
	105	4	12	25	34	33	145	44	774	59
	158	6	26	36	76	39	327	55	1742	62
	211	8	46	43	136	52	581	63	3098	78
	263	10	73	49	212	58	908	69	4840	84
316	12	105	54	305	63	1307	73	6970	88	
125	83	2	3	7	8	16	36	27	194	42
	167	4	12	26	34	35	145	46	774	61
	250	6	26	37	76	46	327	57	1742	72
	334	8	46	45	136	46	581	64	3098	72
	417	10	73	51	212	60	908	71	4840	85
501	12	105	56	305	65	1307	75	6970	90	
160	139	2	3	9	8	18	36	29	194	44
	277	4	12	28	34	37	145	48	774	63
	416	6	26	39	76	48	327	59	1742	74
	554	8	46	47	136	56	581	66	3098	82
	693	10	73	53	212	62	908	72	4840	88
831	12	105	58	305	67	1307	77	6970	92	
200	218	2	3	11	8	19	36	31	194	46
	436	4	12	30	34	38	145	50	774	65
	654	6	26	41	76	50	327	60	1742	76
	872	8	46	49	136	57	581	68	3098	84
	1091	10	73	55	212	63	908	74	4840	89
1309	12	105	60	305	68	1307	79	6970	94	
250	342	2	3	12	8	21	36	32	194	48
	684	4	12	31	34	40	145	51	774	66
	1027	6	26	43	76	51	327	62	1742	78
	1369	8	46	50	136	59	581	70	3098	85
	1711	10	73	57	212	65	908	76	4840	91
2053	12	105	61	305	70	1307	81	6970	96	
315	546	2	3	14	8	23	36	34	194	49
	1092	4	12	33	34	42	145	53	774	68
	1639	6	26	44	76	53	327	64	1742	79
	2185	8	46	52	136	61	581	72	3098	87
	2731	10	73	58	212	67	908	78	4840	93
3277	12	105	63	305	72	1307	83	6970	98	
400	884	2	3	16	8	24	36	36	194	51
	1768	4	12	35	34	44	145	55	774	70
	2652	6	26	46	76	55	327	66	1742	81
	3536	8	46	54	136	63	581	74	3098	89
	4420	10	73	60	212	69	908	80	4840	95
5305	12	105	65	305	74	1307	85	6970	100	

**Note**

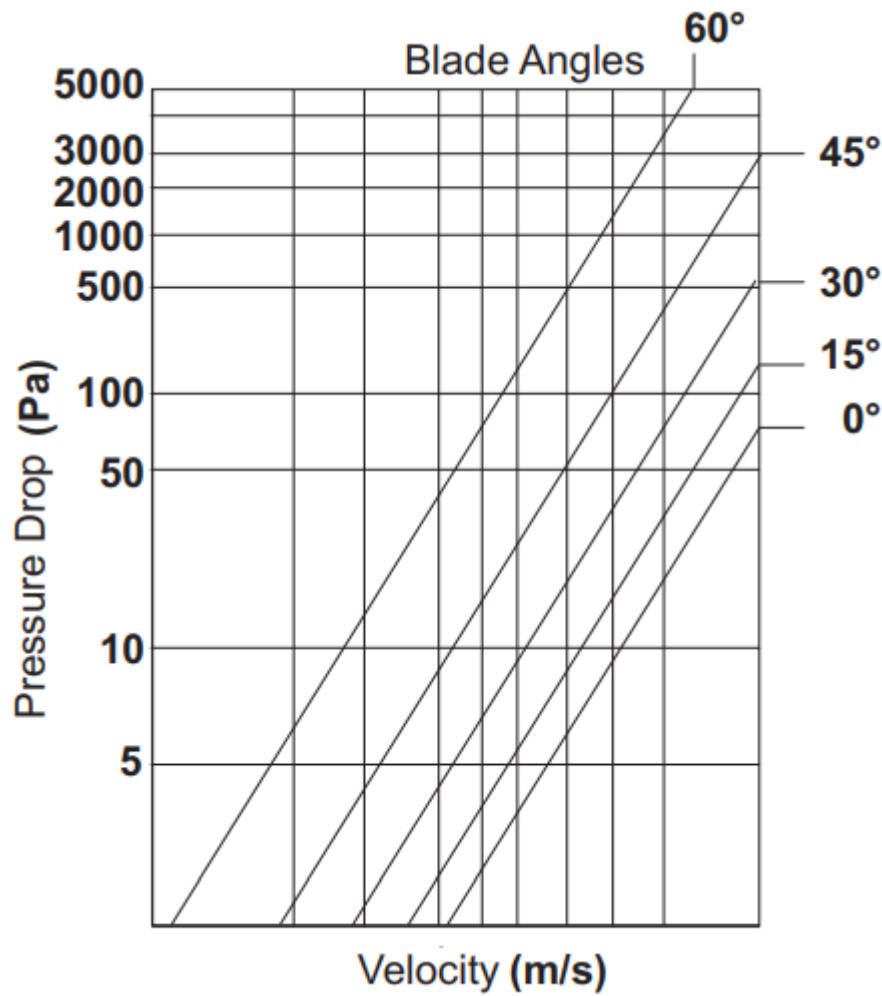
\*NR [dB] - Noise level

\*ΔPt [pa] - Pressure loss

\*V[m/s] - Air speed



Circular/Round Volume Control Damper Selection Graph





## ORDER CODE:

<b>CCD-M</b>	<b>G</b>	<b>1</b>	<b>S</b>	<b>00</b>	<b>D 315</b>
<b>CCD-M</b> <b>CCD-MF</b>					<b>N: Neck Size</b> <b>D: Neck Diameter</b>
<b>G: Galvanized Metal Sheet (Standard)</b> <b>A: Aluminum (Optional)</b>				<b>00: No coating</b> <b>RAL----: Powder Coating</b>	
<b>BELIMO: 1</b> <b>SIEMENS: 2</b>				<b>S: Standard</b> <b>L: Requested Product Length (Special)</b>	