**DESCRIPTION:**

CRG : Curved blade Grilles, with adjustable horizontal or vertical blades.

MATERIAL:

Specially extruded from 6063 aluminium profile.

FUNCTION:

It is used both for supply and extract application in air ventilation systems.

FINISHING:

- Standard finishing is natural anodized. Electrostatic powder coating is optional.
- Standard colours are RAL 9010 and RAL 9016 . Other colours are available with enamel paint.

INSTALLATION:

- System with screws is standard.
- System with clips and plate spring is used if no hole is requested on the frame.

ACCESSORIES:

- If desired, it is possible to add a damper to adjust the amount of air to be collected.

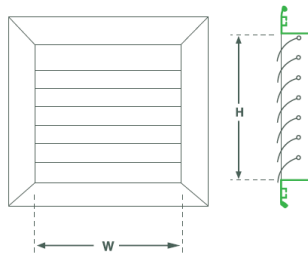
PKD: Parallel Blade Damper

ZKD: Opposite Blade Damper

- PK: Plenum Box
- KK: Subframe



STANDARD SIZES :



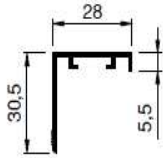
AVAILABLE SIZES (in.) - Always width x height											
WIDHT											
HEIGHT	4"	6"	8"	10"	12"	14"	16"	18"	20"	22"	24"
4"	X	X	X	X	X	X	X	X	X	X	X
6"	X	X	X	X	X	X	X	X	X	X	X
8"	X	X	X	X	X	X	X	X	X	X	X
10"	X	X	X	X	X	X	X	X	X	X	X
12"	X	X	X	X	X	X	X	X	X	X	X
14"	X	X	X	X	X	X	X	X	X	X	X
16"	X	X	X	X	X	X	X	X	X	X	X
18"	X	X	X	X	X	X	X	X	X	X	X
20"	X	X	X	X	X	X	X	X	X	X	X
22"	X	X	X	X	X	X	X	X	X	X	X
24"	X	X	X	X	X	X	X	X	X	X	X

AVAILABLE SIZES (mm) - Always width x height											
WIDHT											
HEIGHT	100	150	200	250	300	350	400	450	500	550	600
100	X	X	X	X	X	X	X	X	X	X	X
150	X	X	X	X	X	X	X	X	X	X	X
200	X	X	X	X	X	X	X	X	X	X	X
250	X	X	X	X	X	X	X	X	X	X	X
300	X	X	X	X	X	X	X	X	X	X	X
350	X	X	X	X	X	X	X	X	X	X	X
400	X	X	X	X	X	X	X	X	X	X	X
450	X	X	X	X	X	X	X	X	X	X	X
500	X	X	X	X	X	X	X	X	X	X	X
550	X	X	X	X	X	X	X	X	X	X	X
600	X	X	X	X	X	X	X	X	X	X	X

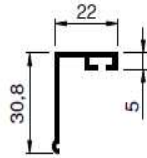
* Any combination of these sizes



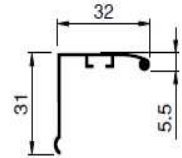
FRAME TYPES:



28mm Frame



22mm Frame



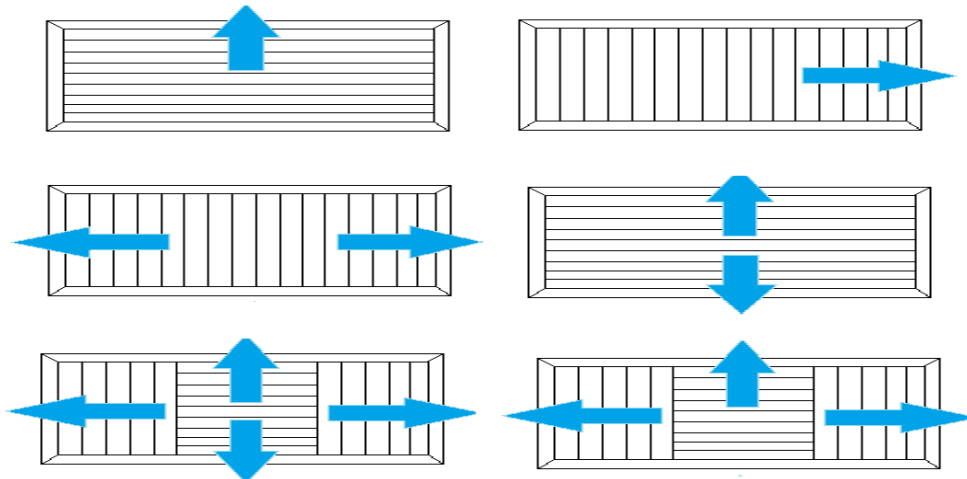
32mm Frame

EFFECTIVE AREA Ak(m²):

1 – 2 Directional Curved Blade Grille for Effective Area

W / H		H										
		100	150	200	250	300	350	400	500	600	700	800
W	100	0,005	0,009	0,012	0,015	0,019	0,022	0,026	0,032	0,039	0,046	0,053
	150	0,008	0,013	0,018	0,023	0,028	0,033	0,038	0,048	0,059	0,069	0,079
	200	0,01	0,017	0,024	0,031	0,037	0,044	0,051	0,065	0,078	0,092	0,105
	250	0,013	0,021	0,03	0,038	0,047	0,055	0,064	0,081	0,098	0,115	0,132
	300	0,015	0,026	0,036	0,046	0,056	0,066	0,077	0,097	0,117	0,138	0,158
	350	0,018	0,03	0,042	0,054	0,065	0,077	0,089	0,113	0,137	0,161	0,184
	400	0,02	0,034	0,048	0,061	0,075	0,088	0,102	0,129	0,156	0,184	0,211
	450	0,023	0,038	0,054	0,069	0,084	0,099	0,115	0,145	0,176	0,207	0,237
	500	0,026	0,043	0,06	0,077	0,094	0,111	0,128	0,162	0,196	0,23	0,264
	600	0,031	0,051	0,071	0,092	0,112	0,133	0,153	0,194	0,235	0,275	0,316
	700	0,036	0,06	0,083	0,107	0,131	0,155	0,179	0,226	0,274	0,321	0,369
	800	0,041	0,068	0,095	0,122	0,15	0,177	0,204	0,258	0,313	0,367	0,422
900	0,046	0,077	0,107	0,138	0,168	0,199	0,23	0,291	0,352	0,413	0,474	
1000	0,051	0,085	0,119	0,153	0,187	0,221	0,255	0,323	0,391	0,459	0,527	

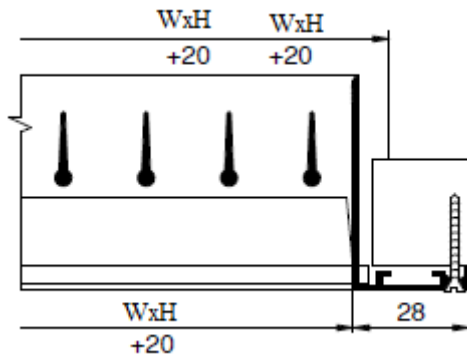
AIR FLOW CHART:



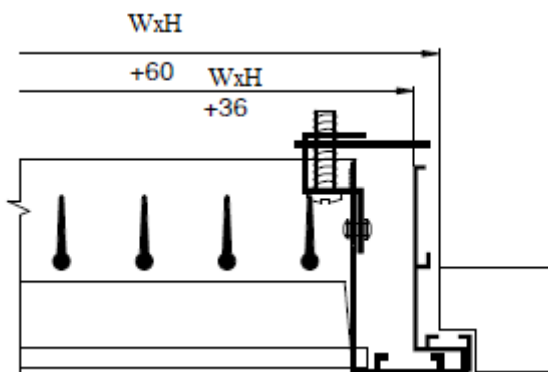


MOUNTING DETAILS

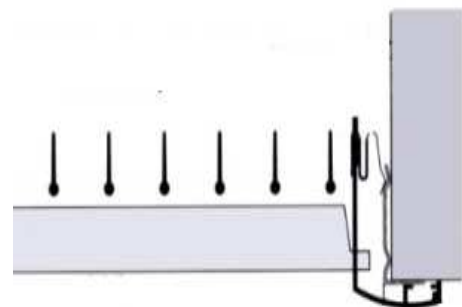
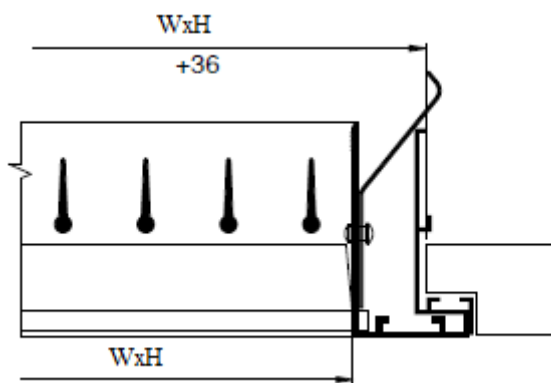
1. Screw Mounting Details



2. Clips Mounting Details



3. Spring Mounting Details





ORDER CODES

EKM	1	28	000	FB9010	VD	W 300X200
EKM-1: 1 Directional EKM-2: 2 Directional EKM-3: 3 Directional EKM-4: 4 Directional						W: Neck Size
						C: Frame Size
22: Frame=22mm 28: Frame=28mm 32: Frame=32mm						00: without Mounting
						VD: Screw Mounting
						KL: Clips Mounting
						ST: Spring Mounting
000: without Damper ZKD: Opposite Blade Damper PKD: ParalleL Blade Damper						00: without coating
						EL: Satin Aluminium
						FB----: Powder Coated RAL