

Figure 1: IRIS Damper Selection Curve (Typical)

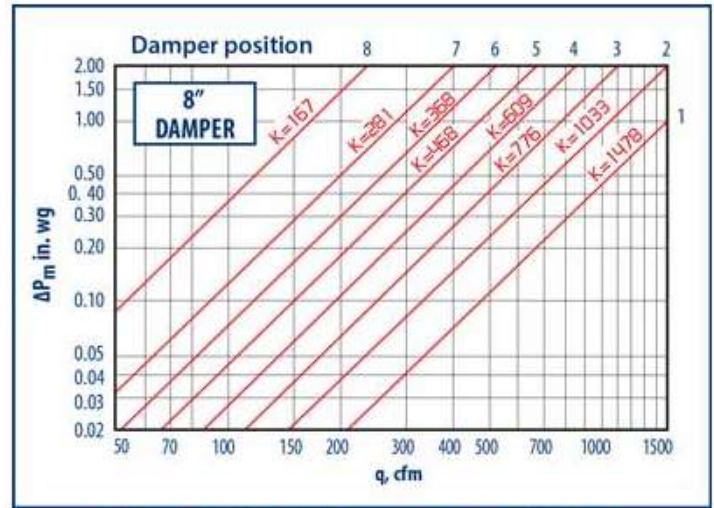


Figure 2: Airflow Adjustment Chart (Typical)

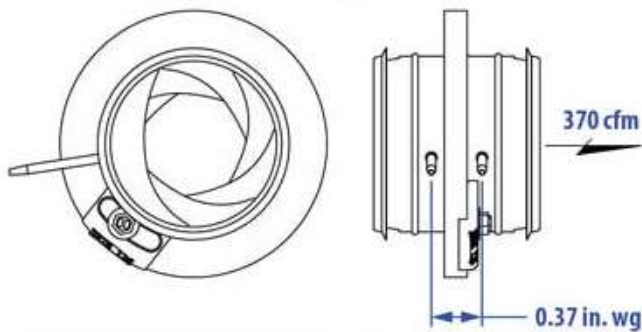


Figure 3

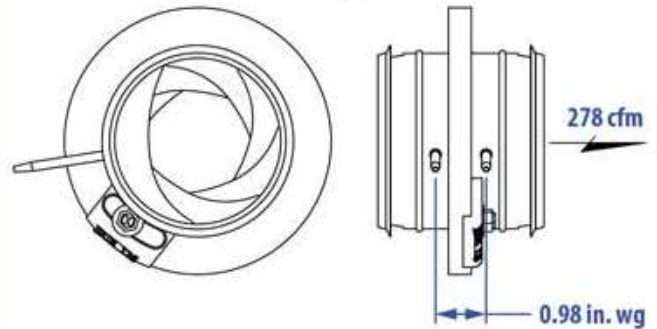
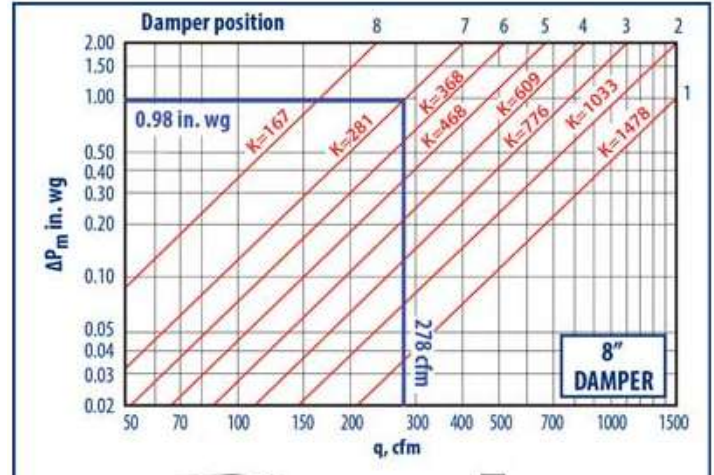


Figure 4

Submittal No.

Revision:

Date: 01/01/2019

Submitted by:

Date submitted: